

MIL Spec Potentiometers



MIL Style RV4 pg. 2



MIL Style 2RV7 pg. 5



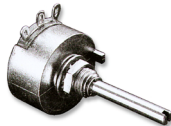
MIL Style RV2 pg. 8



MIL Style RV6 pg. 11



MIL Style RV8 pg. 14



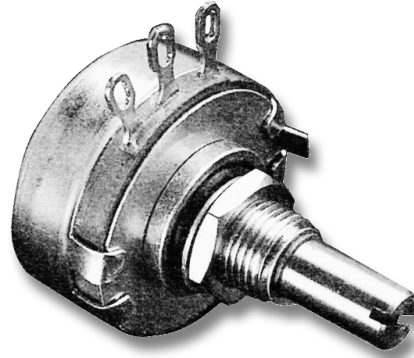
MIL Style RV5 pg. 17

For more information about these products,
visit our website at www.potentiometers.com

MIL Style RV4 - 2 Watt Carbon Potentiometer



For more information about this product, visit our website at: www.potentiometers.com



Series RV4 potentiometers:

- Suitable for both military and commercial applications.
- Can be customized to meet special requirements.
- RoHS and REACH Complaint and contain no Conflict minerals.

Features

- Hot molded carbon element
- Gold plated terminals
- Stainless steel shaft and housing
- Meets or exceeds specifications of MIL-R-94
- QPL Listed
- Commercial equivalent, see [Series K](#)

Options:

- Custom shafts and bushings
- Special tapers
- Fourth (center) terminal
- High life
- Attached switch

Electrical Specifications

Electrical Rotation: 285°
Resistance Range-linear taper: 50 ohms to 5 meg
Resistance Range-log taper: 150 ohms to 1 meg
Resistance Tolerance: $\pm 10\%$ or $\pm 20\%$
Resistance Taper: linear, log, reverse log
(other tapers by special order)
Power Rating: 2 watts @ 70°C derated to 0 @ 120°C
Insulation Resistance: 10K Meg (dry); 100K Meg (wet)
Dielectric Strength: 900 V RMS at sea level
Operating Voltage: 500 V subject to power rating

Mechanical Specifications

Mechanical Rotation: 314°
Mechanical Rotation with Switch 333°
Operating Torque: 1 oz/in to 6 oz/in
Rotational Life: 25,000 cycles

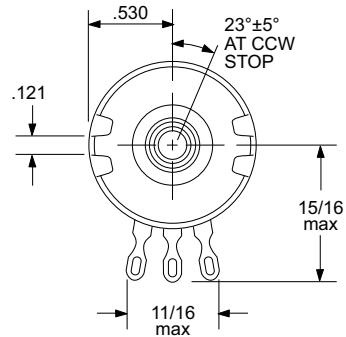
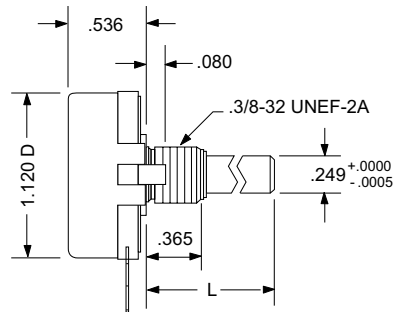
Environmental Specifications

Operating Temperature: -65 °C to +125 °C
Resistance to Soldering Heat: 350 °C for 5 seconds
Humidity Range: per Mil-R-94
Vibration Range: per Mil-R-94
Shock Resistance: per Mil-R-94
Load Life: 1000 hr at 70 °C

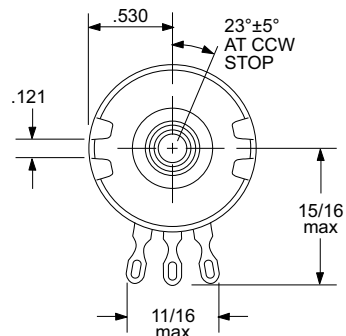
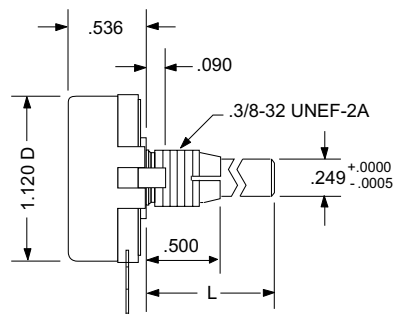
Available Resistance Values

50	3,500	200,000
100	5,000	250,000
150	7,500	350,000
200	10,000	500,000
250	15,000	750,000
350	20,000	1,000,000
500	25,000	1,500,000
750	35,000	2,000,000
1,000	50,000	2,500,000
1,500	75,000	3,500,000
2,000	100,000	5,000,000
2,500	150,000	

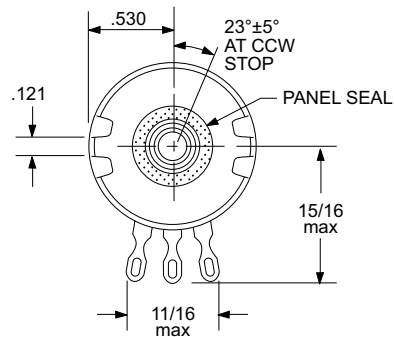
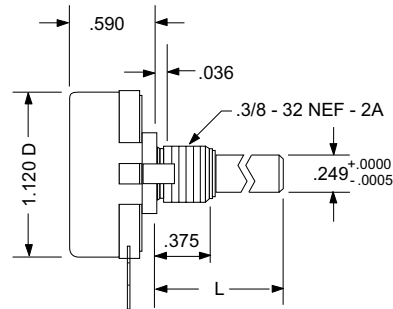
Standard Configuration



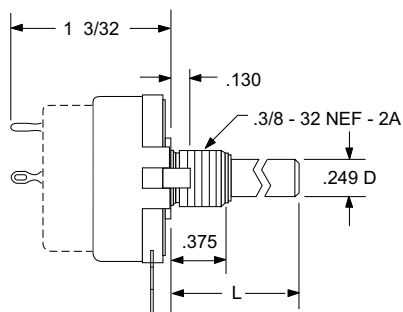
Locking Bushing



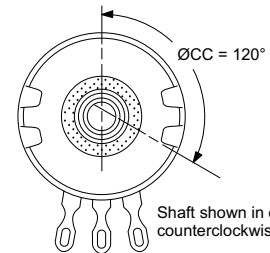
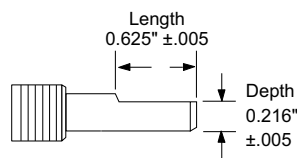
Panel Seal



With SPST Switch



Flatted Shaft



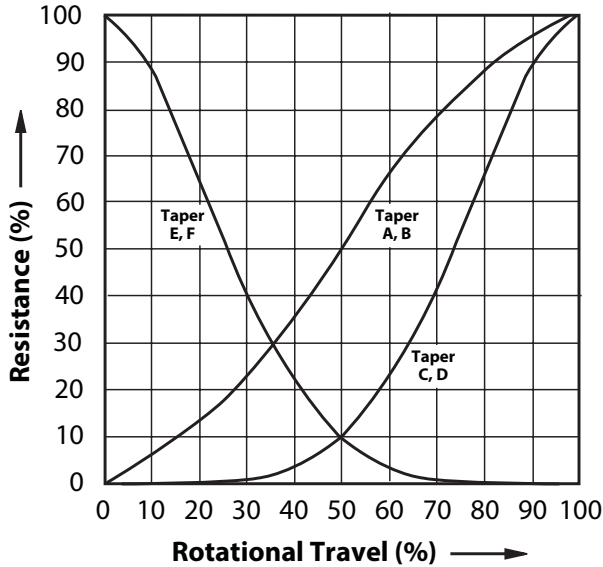
Notes:

1. Flatted Shaft is not available with Locking or Shaft Seal Options
2. Flat will extend to within 0.031" (0.79) of mounting bushing where shaft length will not permit standard flat.

Shaft shown in extreme counterclockwise position.

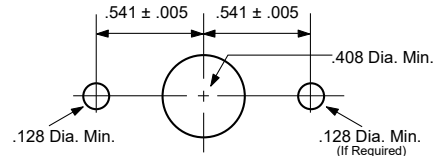
MIL Style RV4 - 2 Watt Carbon Potentiometer

Resistance Taper

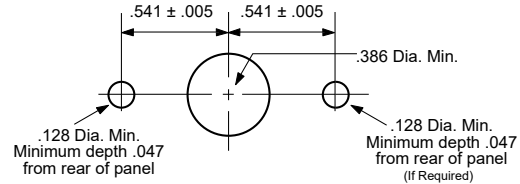


Panel Mounting Dimensions

Units with plain bushings, shaft watertight bushings, or locking bushings



Units with panel watertight bushing



Ordering Information - Military Part Numbers

Carbon or Conductive Plastic element available

Style	Bushing	Switch	Temperature and Moisture Characteristics:	Shaft Style:	Shaft Length:	Resistance Value:	Taper and Tolerance:
RV4 = MIL style RV4	N = Standard L = Locking S = Panel & Shaft Seal	A = Without Switch B = SPST Switch	Y = as per MIL-R-94	S = Slotted F = Flatted	B = 1/2" A = 5/8" D = 7/8" G = 1 1/4" J = 2" K = 2 1/2"	Total Resistance Value in Ohms: First 2 numbers are significant digits, 3rd number is the number of zeros.	A = Linear ±10% B = Linear ±20% C = Log ±10% D = Log ±20% E = Rev. Log ±10% F = Rev. Log ±20%

Example Part Number: RV4NAYS103A

Note: not all part number combinations are valid.
More options and combinations are available on commercial versions

Ordering Information - Commercial Part Numbers

Carbon element standard.

Conductive Plastic available in some configurations. Contact sales rep for information.

Series	Bushing	Switch	Taper	Resistance Value:	Tolerance:	Shaft Style:	Shaft Length:
K = Series K	blank = Std. L = Locking W = Panel & Shaft Seal	blank = No Switch S = SPST Switch	U = Linear A = Log B = Rev. Log	Total Resistance Value in Ohms: First 2 numbers are significant digits, 3rd number is the number of zeros.	1 = 10% of Nominal 2 = 20% of Nominal	R = Round S = Slotted F = Flatted	16 = 1/2" 20 = 5/8" 24 = 3/4" 28 = 7/8" 32 = 1" 40 = 1 1/4" 48 = 1 1/2" 64 = 2" 80 = 2 1/2" 96 = 3"

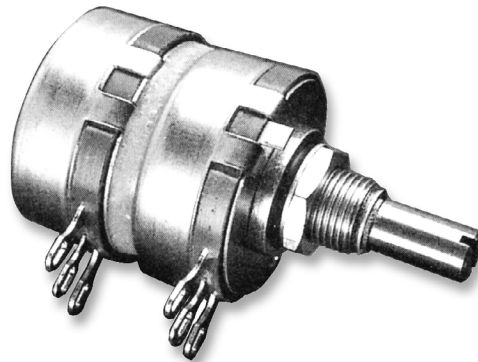
Example Part Number: KSU1031R16

Note: not all part number combinations are valid.

For more information about this product, visit our website at: www.potentiometers.com



For more information about this product, visit our website at:
www.potentiometers.com



Series 2RV7 potentiometers are suitable for both military and commercial applications requiring multiple elements. These units can be customized to meet special requirements.

Features

- Hot molded carbon element
- Gold plated terminals
- Stainless steel shaft and housing
- Meets or exceeds specifications of MIL-R-94
- QPL Listed
- Commercial equivalent, see [Series KK](#)

Options:

- Custom shafts and bushings
- Special tapers
- Fourth (center) terminal
- Concentric shafts
- Attached switches

Electrical Specifications

Resistance Range-linear taper: 50 ohms to 5 meg
Resistance Range-logarithmic taper: 150 ohms to 1 meg
Resistance Tolerance: $\pm 10\%$ or $\pm 20\%$
Resistance Taper: linear, log, reverse log
(other tapers by special order)
Power Rating: 2 watts @ 70 °C derated to 0 watts @ 120 °C
Insulation Resistance: 10K Meg (dry); 100K Meg (wet)
Dielectric Strength: 900 V RMS at sea level
Operating Voltage: 500 V subject to power rating

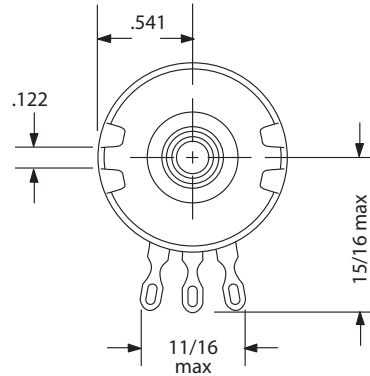
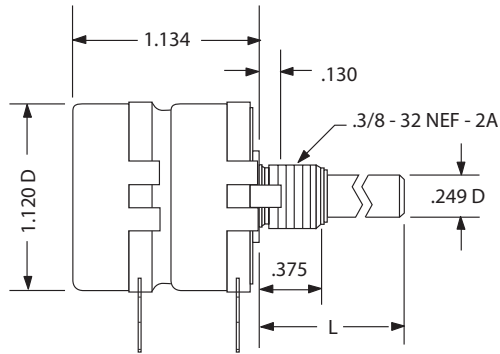
Mechanical Specifications

Mechanical Rotation: 314°
Operating Torque: 1 oz/in to 12 oz/in
Rotational Life: 25,000 cycles

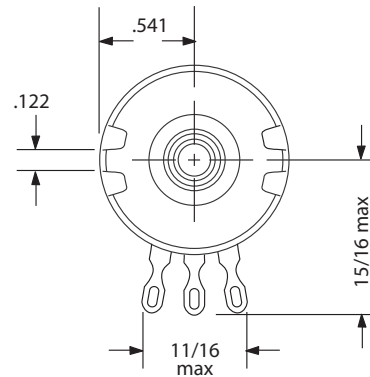
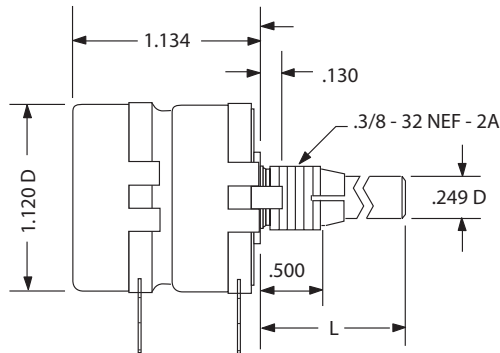
Environmental Specifications

Operating Temperature: -65 °C to +125 °C
Resistance to Soldering Heat: 350 °C to 5 seconds
Humidity Range: per Mil-R-94
Vibration Range: per Mil-R-94
Shock Resistance: per Mil-R-94
Load Life: 1000 hr at 70 °C

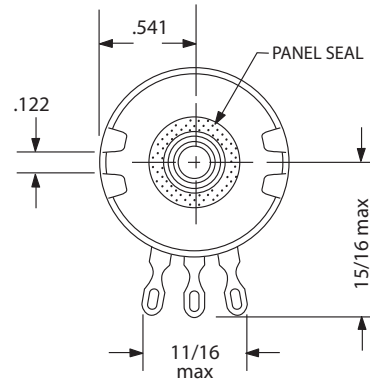
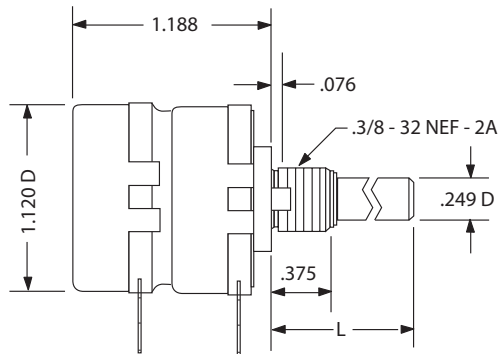
Standard Configuration



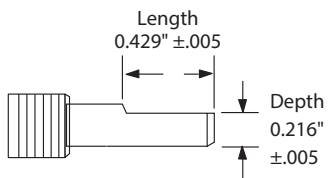
Locking Bushing



Panel Seal

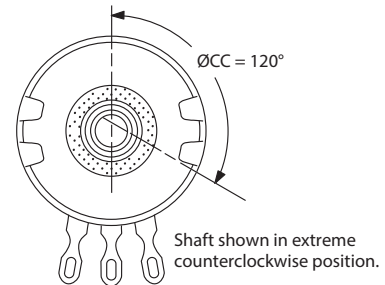


Flatted Shaft



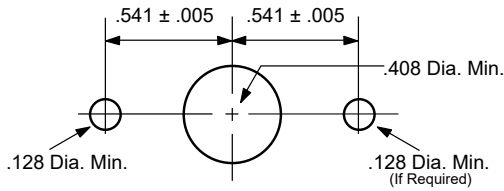
Notes:

1. Flatted Shaft is not available with Locking or Shaft Seal Options
2. Flat will extend to within 0.031" (0.79) of mounting bushing where shaft length will not permit standard flat.

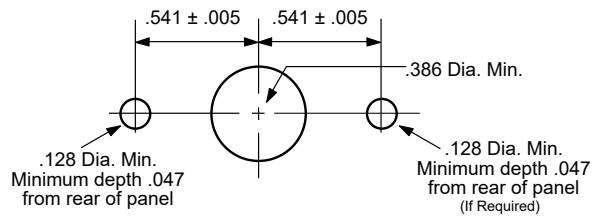


MIL Style 2RV7 - 2 Watt Dual Carbon Potentiometer

Panel Mounting Holes



Mounting dimensions for units with plain bushings, shaft watertight bushings, and locking bushings



Mounting dimensions for units with panel watertight bushings

Ordering Information - Commercial Part Numbers

Carbon element standard.

Conductive Plastic available in some configurations. Contact sales rep for information.

Series	Bushing	Switch	Taper	Resistance Value:	Tolerance:	Shaft Style:	Shaft Length:
KK = Series KK - dual element KKK = Series KKK - triple element	blank = Stand. L = Locking W = Panel & Shaft Seal	blank = No Switch S = SPST Switch	U = Linear A = Log B = Rev. Log	Total Resistance Value in Ohms: First 2 numbers are significant digits, 3rd number is the number of zeros.	1 = 10% of Nominal 2 = 20% of Nominal	R = Round S = Slotted F = Flatted	16 = 1/2" 20 = 5/8" 24 = 3/4" 28 = 7/8" 32 = 1" 40 = 1 1/4" 48 = 1 1/2" 64 = 2" 80 = 2 1/2" 96 = 3"

Example Part Number: KKU1031S16

Note: A switch section, if selected, will be the second section for a KK unit, or the third section for a KKK unit

Note: not all part number combinations are valid.

Ordering Information - Military Part Numbers

Carbon or Conductive Plastic element available

Style	Bushing	Temperature and Moisture Characteristics:	Shaft Style:	Shaft Length:	Resistance Value:	Taper and Tolerance:
2RV7 = MIL style 2RV7	N = Standard L = Locking S = Panel & Shaft Seal	Y = as per MIL-R-94	S = Slotted F = Flatted	B = 1/2" A = 5/8" D = 7/8" G = 1 1/4" J = 2" K = 2 1/2"	Total Resistance Value in Ohms: First 2 numbers are significant digits, 3rd number is the number of zeros.	A = Linear ±10% B = Linear ±20% C = Log ±10% D = Log ±20% E = Rev. Log ±10% F = Rev. Log ±20%

Example Part Number: 2RV7NYSD103103A

Note: not all part number combinations are valid.

More options and combinations are available on commercial versions

For more information about this product, visit our website at: www.potentiometers.com



© State Electronics

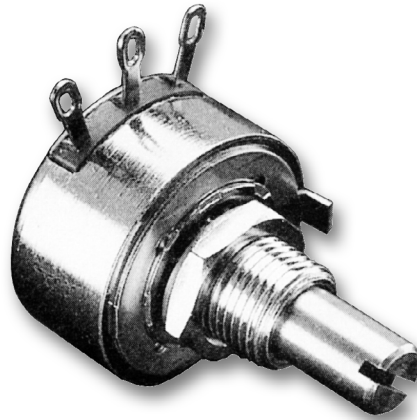
36 State Route 10, STE 6 • East Hanover, NJ 07936-0436
 973-887-2550 • Toll Free 1-800-631-8083 • Fax 973-887-1940
<http://www.potentiometers.com>

MIL Style RV2 - 1 Watt Carbon Potentiometer



For more information about this product, visit our website at:

www.potentiometers.com



Series RV2 potentiometers are suitable for both military and commercial applications. These units can be customized to meet special requirements.

Features

- Hot molded carbon element
- Gold plated terminals
- One piece brass housing
- Stainless steel shaft
- Meets or exceeds specifications of MIL-R-94
- QPL Listed
- Commercial equivalent, see [Series N](#)

Options:

- Custom shafts and bushings
- Special tapers
- Attached switches

Electrical Specifications

Resistance Range-linear taper: 100 ohms to 5 megs
Resistance Range-log taper: 150 ohms to 1 meg
Resistance Tolerance: $\pm 10\%$ or $\pm 20\%$
Resistance Taper: linear, log, reverse log
(other tapers by special order)
Power Rating: 1 watts @ 70 °C derated to 0 watts @ 120 °C
Insulation Resistance: 10K Meg (dry); 100K Meg (wet)
Dielectric Strength: 900 V RMS at sea level
Operating Voltage: 500 V subject to power rating

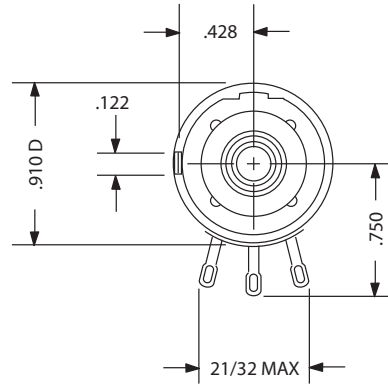
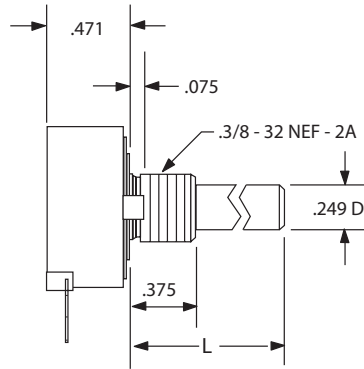
Mechanical Specifications

Mechanical Rotation: 300°
Operating Torque: 1 oz/in to 6 oz/in
Rotational Life: 25,000 cycles

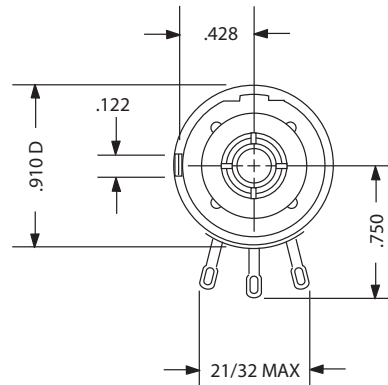
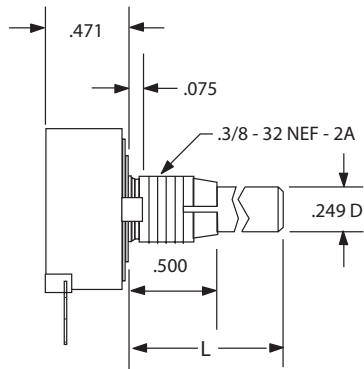
Environmental Specifications

Operating Temperature: -65 °C to +125 °C
Resistance to Soldering Heat: 350 °C to 5 seconds
Humidity Range: per Mil-R-94
Vibration Range: per Mil-R-94
Shock Resistance: per Mil-R-94
Load Life: 1000 hr at 70 °C

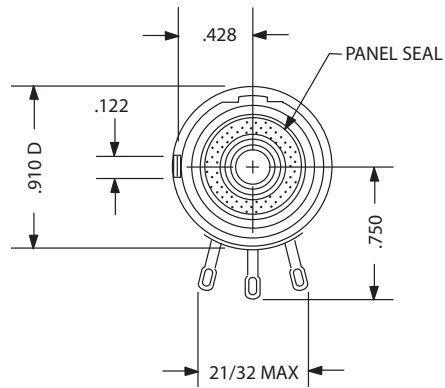
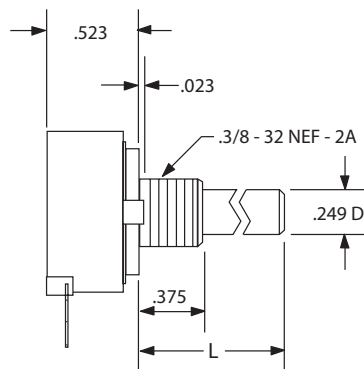
Standard Configuration



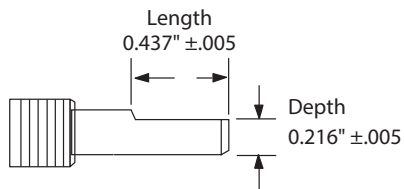
Locking Bushing



Panel Seal

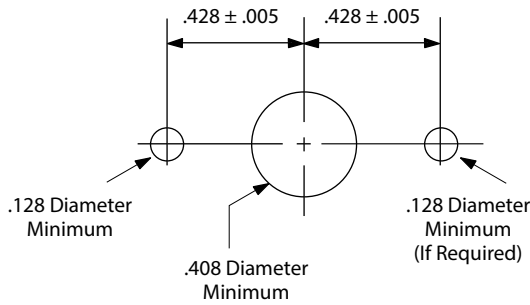


Flatted Shaft

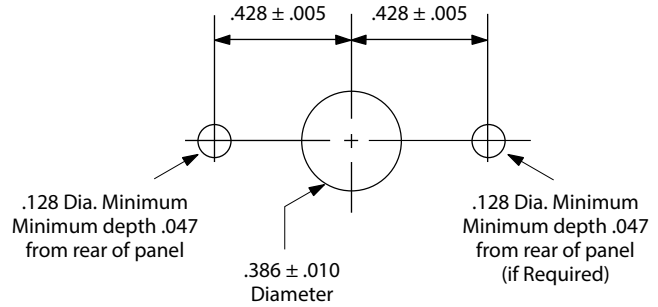


.Note:
Flatted Shaft is not available
with Locking Option

Panel Mounting Holes



Mounting dimensions for units with plain bushings, shaft watertight bushings, and locking bushings



Mounting dimensions for units with panel watertight bushings

Ordering Information - Commercial Part Numbers

Carbon element standard.

Conductive Plastic available in some configurations. Contact sales rep for information.

Series	Bushing	Switch	Taper	Resistance Value:	Tolerance:	Shaft Style:	Shaft Length:
N = Series N	blank = Std. L = Locking W = Panel & Shaft Seal	blank = No Switch S = SPST Switch	U = Linear A = Log B = Rev. Log	Total Resistance Value in Ohms: First 2 numbers are significant digits, 3rd number is the number of zeros.	1 = 10% of Nominal 2 = 20% of Nominal	R = Round S = Slotted F = Flatted	16 = 1/2" 20 = 5/8" 24 = 3/4" 28 = 7/8" 32 = 1" 40 = 1 1/4"

Example Part Number: NLA7511S28

Note: not all part number combinations are valid.

Ordering Information - Military Part Numbers

Carbon or Conductive Plastic element available

Style	Bushing	Switch	Temperature and Moisture Characteristics:	Shaft Style:	Shaft Length:	Resistance Value:	Taper and Tolerance:
RV2 = MIL style RV2	N = Standard L = Locking S = Panel & Shaft Seal	A = Without Switch B = SPST Switch	Y = as per MIL-R-94	S = Slotted F = Flatted	B = 1/2" A = 5/8" D = 7/8" G = 1 1/4" J = 2" K = 2 1/2"	Total Resistance Value in Ohms: First 2 numbers are significant digits, 3rd number is the number of zeros.	A = Linear ±10% B = Linear ±20% C = Log ±10% D = Log ±20% E = Rev. Log ±10% F = Rev. Log ±20%

Example Part Number: RV2NAYS103A

Note: not all part number combinations are valid.

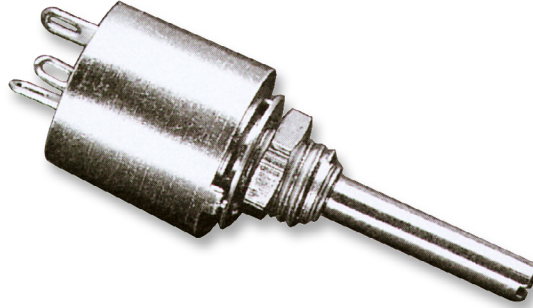
More options and combinations are available on commercial versions

For more information about this product, visit our website at: www.potentiometers.com

MIL Style RV6 - 1/2 Watt Carbon Potentiometer



For more information about this product, visit our website at:
www.potentiometers.com



Series S/RV6 potentiometers are suitable for applications requiring high reliability and a compact size.

Features

- Hot molded carbon element
- One piece brass housing and bushing
- Stainless steel shaft
- Compact size
- Meets or exceeds specifications of MIL-R-94
- QPL Listed
- Commercial equivalent, see [Series S](#)

Options

- Special tapers
- Custom shafts and bushings
- Customer specified marking

Electrical Specifications

Resistance Range-linear taper: 100 ohms to 5 meg
Resistance Range-log taper: 150 ohms to 1 meg
Resistance Tolerance: $\pm 10\%$ or $\pm 20\%$
Resistance Taper: linear, log, reverse log
(other tapers by special order)
Power Rating: 5 watts @ 70 °C derated to 0 watts @ 120 °C
Insulation Resistance: 10K Meg (dry); 100K Meg (wet)
Dielectric Strength: 750 V RMS at sea level
Operating Voltage: 350 V subject to power rating

Mechanical Specifications

Mechanical Rotation: 295°
Operating Torque: .5 oz/in to 6 oz/in
Rotational Life: 25,000 cycles

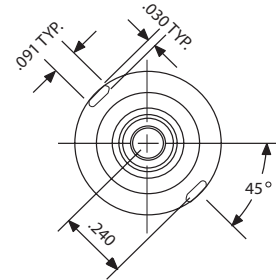
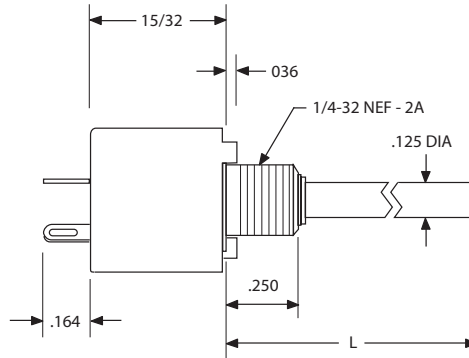
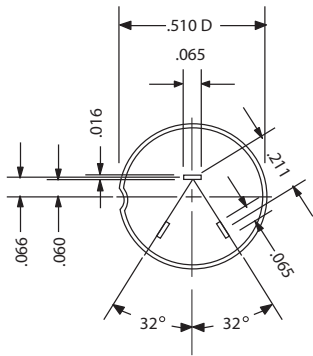
Environmental Specifications

Operating Temperature: -65 °C to +125 °C
Resistance to Soldering Heat: 350 °C to 5 seconds
Humidity Range: per Mil-R-94
Vibration Range: per Mil-R-94
Shock Resistance: per Mil-R-94
Load Life: 1000 hr at 70 °C

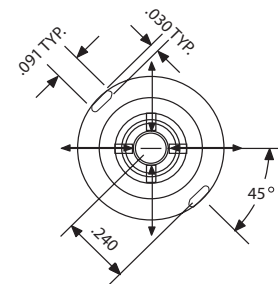
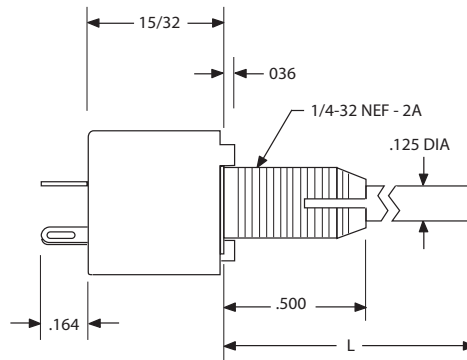
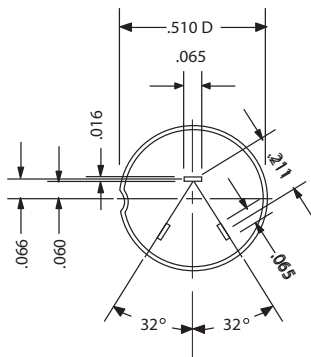
MIL Style RV6 - 1/2 Watt Carbon Potentiometer



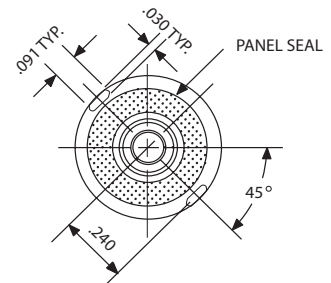
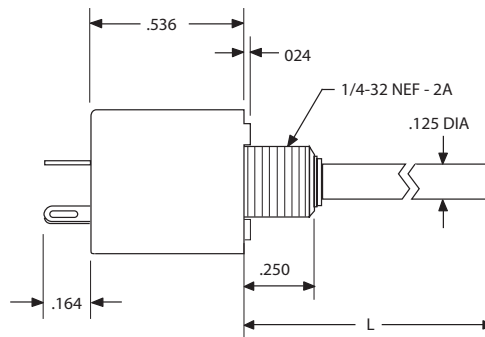
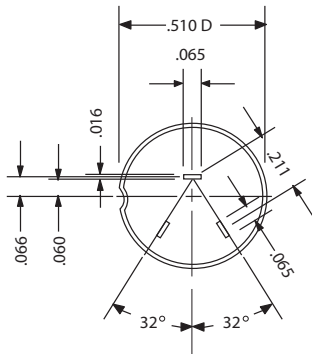
Standard Configuration



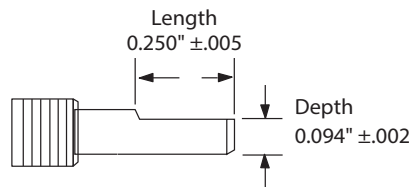
Locking Bushing



Panel Seal



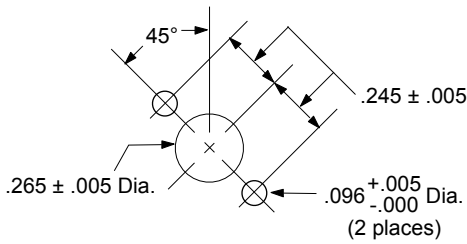
Flatted Shaft



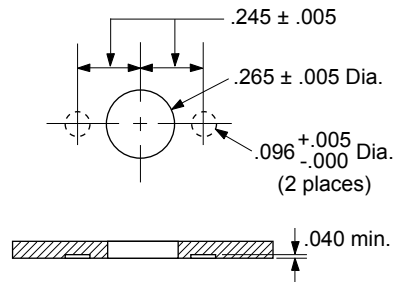
.Note:
Flatted Shaft is not available if
Locking Option is selected.

MIL Style RV6 - 1/2 Watt Carbon Potentiometer

Panel Mounting Holes



Mounting dimensions for units with plain bushings, shaft watertight bushings, and locking bushings



Mounting dimensions for panel watertight units

Ordering Information - Military Part Numbers

Carbon or Conductive Plastic element available

Style	Bushing	Switch	Temperature and Moisture Characteristics:	Shaft Style:	Shaft Length:	Resistance Value:	Taper and Tolerance:
RV6 = MIL style RV6	N = Standard L = Locking S = Panel & Shaft Seal	A = Without Switch	Y = as per MIL-R-94	S = Slotted F = Flatted	L = 3/8" B = 1/2" A = 5/8" D = 7/8"	Total Resistance Value in Ohms: First 2 numbers are significant digits, 3rd number is the number of zeros.	A = Linear ±10% B = Linear ±20% C = Log ±10% D = Log ±20% E = Rev. Log ±10% F = Rev. Log ±20%

Example Part Number: RV6LAYSB103A

Note: not all part number combinations are valid.
More options and combinations are available on commercial versions

Ordering Information - Commercial Part Numbers

Carbon element standard.

Conductive Plastic available in some configurations. Contact sales rep for information.

Series	Bushing	Bushing Length:	Taper	Resistance Value:	Tolerance:	Shaft Style:	Shaft Length:
S = Series S	blank = Std. L = Locking W = Panel & Shaft Seal	blank = 1/4" 6 = 3/8"	U = Linear A = Log B = Rev. Log	Total Resistance Value in Ohms: First 2 numbers are significant digits, 3rd number is the number of zeros.	1 = 10% of Nominal 2 = 20% of Nominal	R = Round S = Slotted F = Flatted	16 = 1/2" 20 = 5/8" 24 = 3/4" 28 = 7/8" 32 = 1" 36 = 1 1/8"

Example Part Number: SLA1031S20

Note: not all part number combinations are valid.

For more information about this product, visit our website at: www.potentiometers.com



© State Electronics

36 State Route 10, STE 6 • East Hanover, NJ 07936-0436
973-887-2550 • Toll Free 1-800-631-8083 • Fax 973-887-1940
<http://www.potentiometers.com>



For more information about this product, visit our website at: www.potentiometers.com

Series SPR/RV8 potentiometers are for PCB applications requiring a rugged potentiometer

Features

- Hot molded carbon element
- Board washable
- Stainless steel shaft
- Compact size
- Meets or exceeds specifications of MIL-R-94
- QPL Listed
- Commercial equivalent, see [Series SPR](#)

Options:

- Special tapers
- Custom shafts and bushings
- Location tab position
- Customer specified marking

Electrical Specifications

Resistance Range-linear taper: 100 ohms to 5 meg
Resistance Range-log taper: 150 ohms to 1 meg
Resistance Tolerance: $\pm 10\%$ or $\pm 20\%$
Resistance Taper: linear, log, reverse log
(other tapers by special order)
Power Rating: 5 watts @ 70 °C derated to 0 watts @ 120 °C
Insulation Resistance: 10K Meg (dry); 100K Meg (wet)
Dielectric Strength: 750 V RMS at sea level
Operating Voltage: 350 V subject to power rating

Mechanical Specifications

Mechanical Rotation: 295°
Operating Torque: .5 oz/in to 6 oz/in
Rotational Life: 25,000 cycles

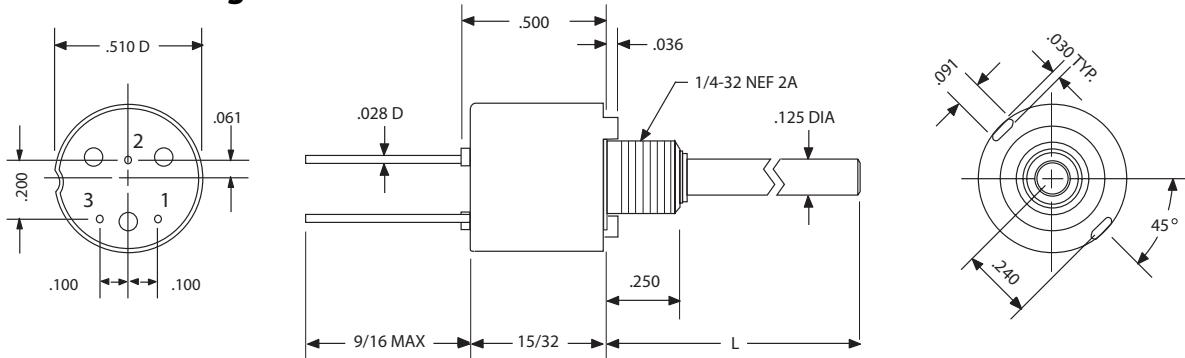
Environmental Specifications

Operating Temperature: -65 °C to +125 °C
Resistance to Soldering Heat: 350 °C to 5 seconds
Humidity Range: per Mil-R-94
Vibration Range: per Mil-R-94
Shock Resistance: per Mil-R-94
Load Life: 1000 hr at 70 °C

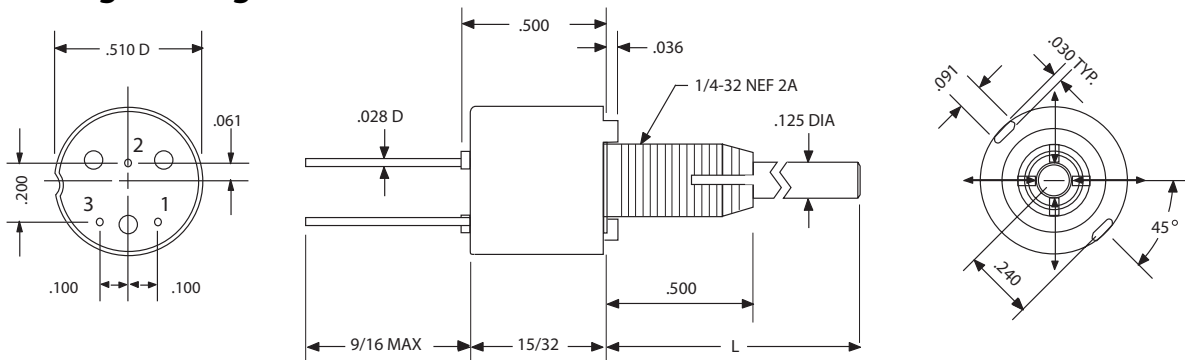
MIL Style RV8 - 1/2 Watt Carbon Potentiometer



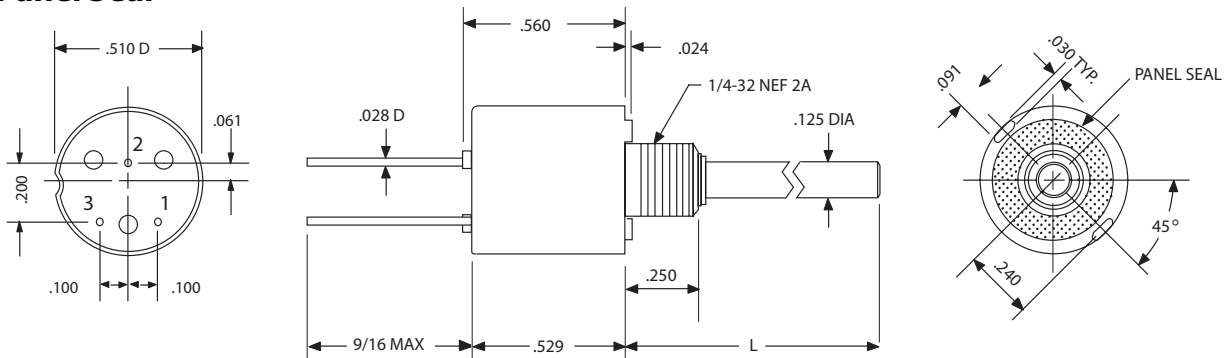
Standard Configuration



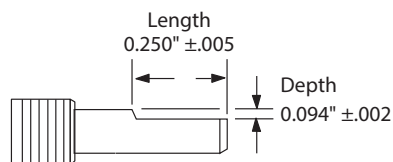
Locking Bushing



Panel Seal



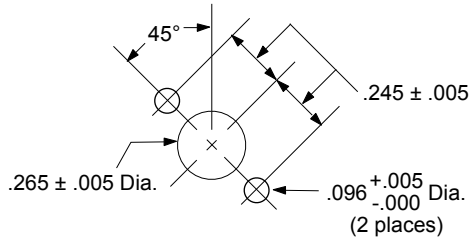
Flatted Shaft



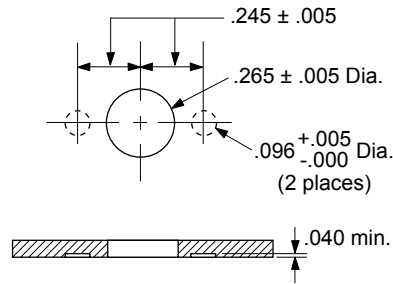
Note:
Flatted Shaft is not available if
Locking Option is selected.

MIL Style RV8 - 1/2 Watt Carbon Potentiometer

Panel Mounting Holes



Mounting dimensions for units with plain bushings, shaft watertight bushings, and locking bushings



Mounting dimensions for panel watertight units

Ordering Information - Commercial Part Numbers

Carbon element standard.

Conductive Plastic available in some configurations. Contact sales rep for information.

Series	Bushing	Bushing Length:	Taper	Resistance Value:	Tolerance:	Shaft Style:	Shaft Length:
SPR = Series SPR	blank = Std. L = Locking W = Panel & Shaft Seal	blank = 1/4" 6 = 3/8"	U = Linear A = Log B = Rev. Log	Total Resistance Value in Ohms: First 2 numbers are significant digits, 3rd number is the number of zeros.	1 = 10% of Nominal 2 = 20% of Nominal	R = Round S = Slotted F = Flatted	16 = 1/2" 20 = 5/8" 24 = 3/4" 28 = 7/8" 32 = 1"

Example Part Number: SPRU2521R20

Note: not all part number combinations are valid.

Ordering Information - Military Part Numbers

Carbon or Conductive Plastic element available

Style	Bushing	Switch	Temperature and Moisture Characteristics:	Shaft Style:	Shaft Length:	Resistance Value:	Taper and Tolerance:
RV8 = MIL style RV8	N = Standard L = Locking S = Panel & Shaft Seal	A = Without Switch	Y = as per MIL-R-94	S = Slotted F = Flatted	L = 3/8" B = 1/2" A = 5/8" D = 7/8"	Total Resistance Value in Ohms: First 2 numbers are significant digits, 3rd number is the number of zeros.	A = Linear ±10% B = Linear ±20% C = Log ±10% D = Log ±20% E = Rev. Log ±10% F = Rev. Log ±20%

Example Part Number: RV8NAYS103A

Note: not all part number combinations are valid.

More options and combinations are available on commercial versions

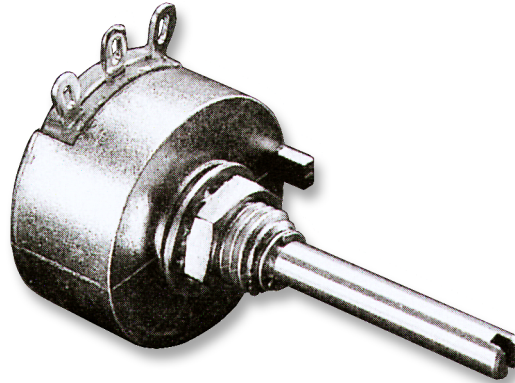
For more information about this product, visit our website at: www.potentiometers.com



MIL Style RV5 - 1/2 Watt Carbon Potentiometer



For more information about this product, visit our website at:
www.potentiometers.com



Series RV5 potentiometers provide a low profile with lateral lug terminals.

Features

- Hot molded carbon element
- One piece housing and bushing
- Stainless steel shaft
- Meets or exceeds specifications of MIL-R-94
- QPL Listed
- Commercial equivalent, see [Series T](#)

Options:

- Special tapers
- Custom shafts
- Customer specified marking

Electrical Specifications

Resistance Range-linear taper: 100 ohms to 5 meg
Resistance Range-log taper: 150 ohms to 1 meg
Resistance Tolerance: $\pm 10\%$ or $\pm 20\%$
Resistance Taper: linear, log, reverse log
(other tapers by special order)
Power Rating: .5 watts @ 70 °C derated to 0 watts @ 120 °C
Insulation Resistance: 10K Meg (dry); 100K Meg (wet)
Dielectric Strength: 750 V RMS at sea level
Operating Voltage: 350 V subject to power rating

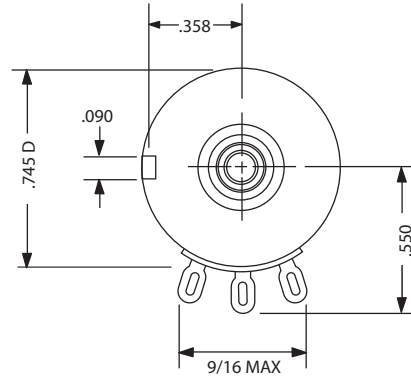
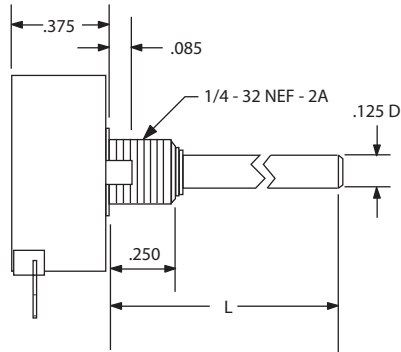
Mechanical Specifications

Mechanical Rotation: 300°
Operating Torque: 1 oz/in to 6 oz/in
Rotational Life: 25,000 cycles

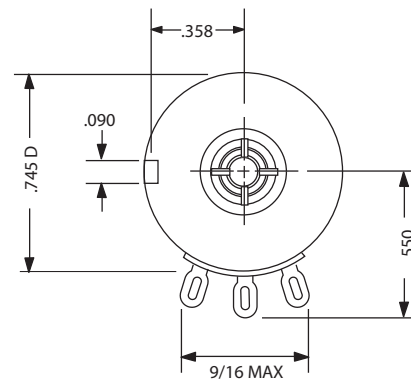
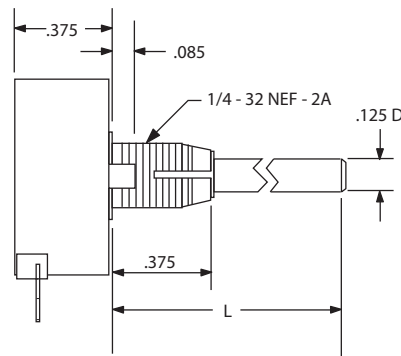
Environmental Specifications

Operating Temperature: -65 °C to +125 °C
Resistance to Soldering Heat: 350 °C to 5 seconds
Humidity Range: per Mil-R-94
Vibration Range: per Mil-R-94
Shock Resistance: per Mil-R-94
Load Life: 1000 hr at 70 °C

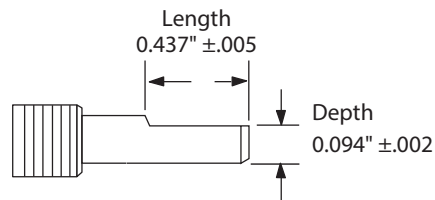
Standard Configuration



Locking Bushing



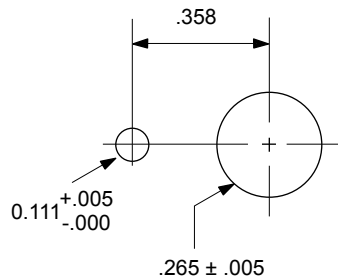
Flatted Shaft



Note:
Flatted Shaft is not available if
Locking Option is selected.

MIL Style RV5 - 1/2 Watt Carbon Potentiometer

Panel Mounting Holes



Mounting dimensions for standard potentiometer

Ordering Information - Commercial Part Numbers

Carbon element standard.

Conductive Plastic available in some configurations. Contact sales rep for information.

Series	Bushing	Bushing Length:	Taper	Resistance Value:	Tolerance:	Shaft Style:	Shaft Length:
T = Series T	blank = Std. L = Locking	blank = 1/4"	U = Linear A = Log B = Rev. Log	Total Resistance Value in Ohms: First 2 numbers are significant digits, 3rd number is the number of zeros.	1 = 10% of Nominal 2 = 20% of Nominal	R = Round S = Slotted F = Flatted	16 = 1/2" 20 = 5/8" 24 = 3/4" 28 = 7/8"

Example Part Number: TU5021S28

Note: not all part number combinations are valid.

Ordering Information - Military Part Numbers

Carbon or Conductive Plastic element available

Style	Bushing	Switch	Temperature and Moisture Characteristics:	Shaft Style:	Shaft Length:	Resistance Value:	Taper and Tolerance:
RV5 = MIL style RV5	N = Standard L = Locking	A = Without Switch	Y = as per MIL-R-94	S = Slotted	L = 3/8" B = 1/2" A = 5/8" D = 7/8"	Total Resistance Value in Ohms: First 2 numbers are significant digits, 3rd number is the number of zeros.	A = Linear ±10% B = Linear ±20% C = Log ±10% D = Log ±20% E = Rev. Log ±10% F = Rev. Log ±20%

Example Part Number: RV5NAYS103A

Note: not all part number combinations are valid.

More options and combinations are available on commercial versions

For more information about this product, visit our website at: www.potentiometers.com



© State Electronics

36 State Route 10, STE 6 • East Hanover, NJ 07936-0436
973-887-2550 • Toll Free 1-800-631-8083 • Fax 973-887-1940
<http://www.potentiometers.com>