

# SPSC50S 2" Dia. Servo Mount Potentiometer



For more information about this product, visit our website at: [www.potentiometers.com](http://www.potentiometers.com)



***Series SPSC50S potentiometers feature Conductive Plastic elements and Servo Mounting with Sine-Cosine Taps and Non-linear Output***

## Features

- Sine-Cosine Taps. Non-linear output
- Conductive Plastic resistive element
- Servo Mount standard
- Anodized Aluminum Housing.
- Stainless Steel shaft
- Gold plated brass terminals

## Options:

- O-Ring Shaft Seal
- Sealed Body

## Electrical Specifications

Resistance Range: 500 to 100K ohms standard  
Resistance Tolerance:  $\pm 15\%$   
Independent Linearity:  $\pm 0.5\%$   
Electrical Rotation: 360°  
Resolution: Essentially Infinite  
Power Rating: 1.25 watts  
Insulation Resistance: 1000 Megohms @ 1000VDC  
Dielectric Strength: 1 Minute at 1000 VAC  
Input Voltage: 80 Volts Max

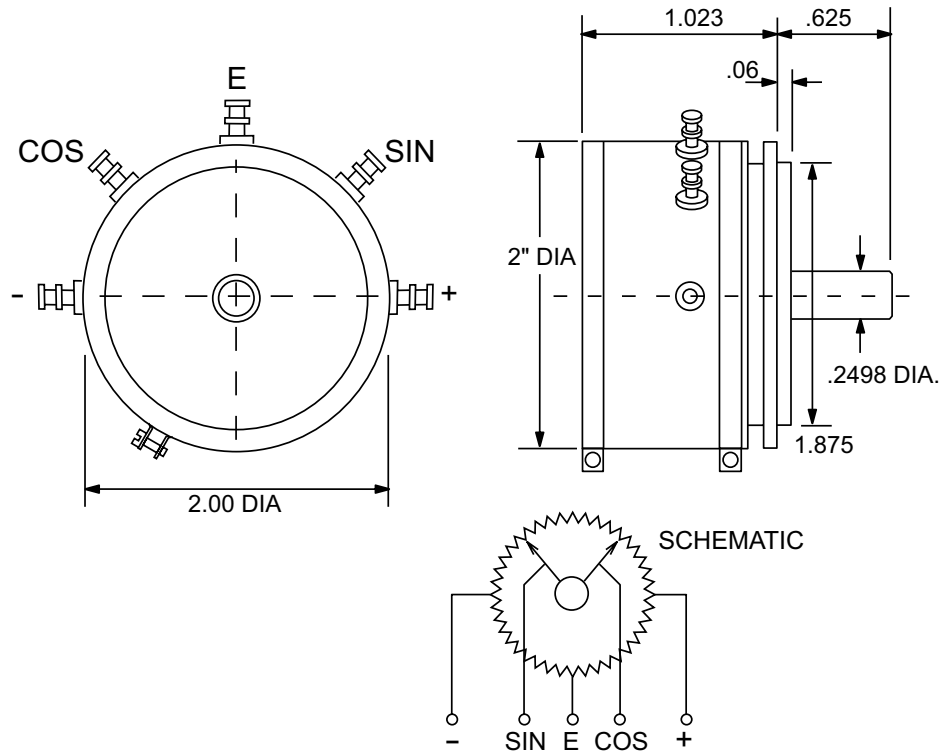
## Mechanical Specifications

Mechanical Rotation: Continuous  
Servo Mount: Ball Bearing  
Torque: .021 oz. in. Max  
Weight: 0.6 oz.  
Rotational Life: 100,000 Turns rated

## Environmental Specifications

Operating Temperature: -55°C to +105°C  
Temperature Coefficient:  $\pm 400$  ppm/°C  
Vibration: 10HZ to 2000HZ 15G  
Shock: 50G  
Moisture Resistance: 40°C 95%RH 120 Hours

# SPSC50S 2" Dia. Servo Mount Potentiometer



## Ordering Information

Example Part Number: **SPSC50S-10K-SS**

SPSC50S	10K	SS
<b>Model</b>	<b>Resistance</b>	<b>Options</b>
<b>SPSC50S</b>	<b>500</b> = 500 ohms <b>1K</b> = 1K ohms <b>2K</b> = 2K ohms <b>5K</b> = 5K ohms <b>10K</b> = 10K ohms <b>20K</b> = 20K ohms	<b>SS</b> = O-Ring Shaft Seal <b>SB</b> = Sealed Body

For more information about this product, visit our website at: [www.potentiometers.com](http://www.potentiometers.com)



© State Electronics

36 State Route 10, STE 6 • East Hanover, NJ 07936-0436  
 973-887-2550 • Toll Free 1-800-631-8083 • Fax 973-887-1940  
<http://www.potentiometers.com>