

SP50B Conductive Plastic Potentiometer - 2" Dia.



For more information about this product, visit our website at: www.potentiometers.com



*Series SP50B potentiometers feature
Conductive Plastic elements and gold plated terminals*

Features

- Conductive Plastic resistive element
- Anodized Aluminum housing
- Stainless steel shaft
- Gold plated terminals

Electrical Specifications

Resistance Range: 1K to 500K ohms standard
Resistance Tolerance: $\pm 10\%$
Independent Linearity: $\pm 0.5\%$
Resolution: Essentially Infinite
Electrical Rotation: $320^\circ \pm 5^\circ$
Power Rating: 3 watts
Insulation Resistance: 1000 Megohms @ 500VDC
Dielectric Strength: 1000 VAC
Contact Resistance Variation: Less than 2% C.R.V
Output Smoothness: Less than 0.1%

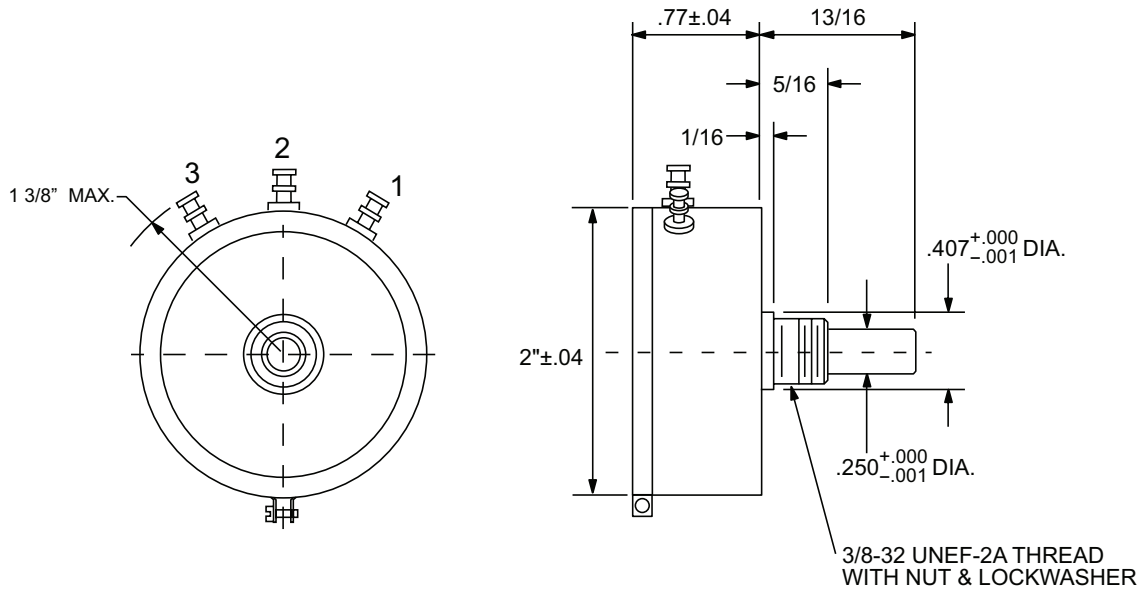
Mechanical Specifications

Mechanical Rotation: $320^\circ +10^\circ -0^\circ$
Torque: 0.5 oz. in. Max
Weight: 0.5 oz.
Rotational Life: 20,000,000 Turns rated

Environmental Specifications

Operating Temperature: -55°C to $+125^\circ\text{C}$
Temperature Coefficient: ± 400 PPM/ $^\circ\text{C}$
Vibration: 10HZ to 2000HZ 15G
Shock: 50G
Moisture Resistance: 40°C 95%RH 120 Hours

SP50B Conductive Plastic Potentiometer - 2" Dia.



Ordering Information

Example Part Number: **SP50B-10K-CT**

SP50B	10K	CT
Model	Resistance	Options
SP50B	1K = 1K ohms 2K = 2K ohms 5K = 5K ohms 10K = 10K ohms 20K = 20K ohms 50K = 50K ohms 100K = 100K ohms	CT = Center Tap SB = Sealed Body FL = Flatted Shaft NS = No Stops SL = Side Load Treatment S = Servo Mount with ball bearings

For more information about this product, visit our website at: www.potentiometers.com



© State Electronics

36 State Route 10, STE 6 • East Hanover, NJ 07936-0436
 973-887-2550 • Toll Free 1-800-631-8083 • Fax 973-887-1940
<http://www.potentiometers.com>