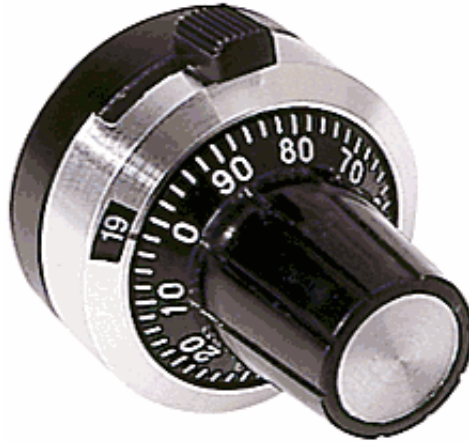


# MG22 Concentric Turn-Counting Dial-7/8" Dia.



For more information about this product, visit our website at: [www.potentiometers.com](http://www.potentiometers.com)



## *Series MG22 Precision Concentric 7/8" Diameter Turn-Counting Dial*

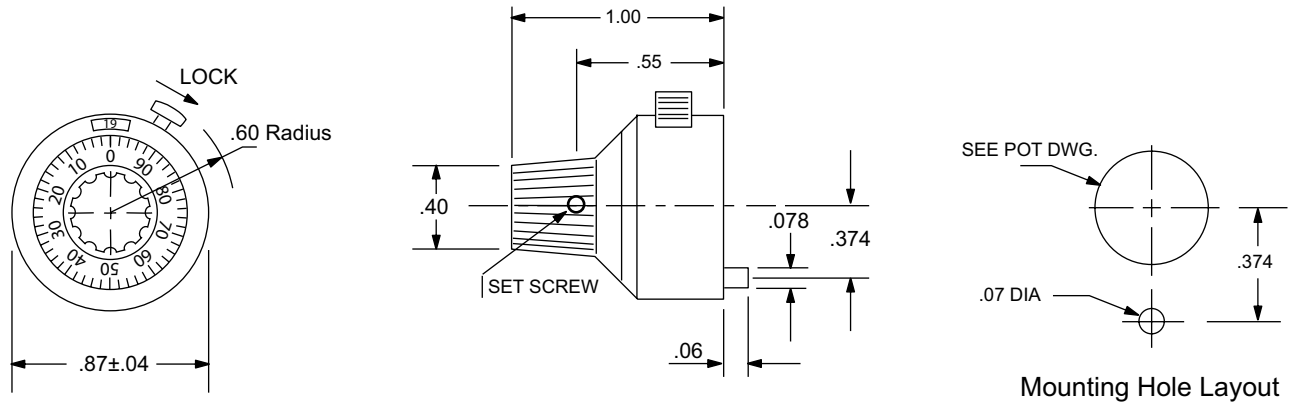
### Features

- Counts Up To 20 turns
- One Piece Mounting
- Large, Easy to Read Numbers
- Smooth Adjustment
- Over Center Lock
- Low Cost

### Mechanical Specifications

Turns Counted: 20  
Diameter: 7/8 inch  
Extension from Panel: 1.0 inch  
Panel Thickness (max): 1/4 inch  
Housing Material: Aluminum  
Finish (Housing): Satin, Black, or Gray  
Knob Material: Black Nylon  
Numbers: White on Black background

# MG22 Concentric Turn-Counting Dial-7/8" Diameter



## Ordering Information

Example Part Number: **MG22-Black-1/4-Lock**

MG22	B	1/4	Lock
Model	Color	Shaft Diameter	Lock
MG22	Satin = Satin & Black Black = Black Grey = Grey	1/8 1/4 3mm 4mm 6mm	Lock (standard) No Lock

For more information about this product, visit our website at: [www.potentiometers.com](http://www.potentiometers.com)



© State Electronics

36 State Route 10, STE 6 • East Hanover, NJ 07936-0436  
973-887-2550 • Toll Free 1-800-631-8083 • Fax 973-887-1940  
<http://www.potentiometers.com>