

LCP8 Conductive Plastic Linear Potentiometer



For more information about this product, visit our website at: www.potentiometers.com

Series LCP8 linear potentiometers feature a Conductive Plastic Element, which provides essentially infinite resolution, long life, high speed tracking ability and good high frequency characteristics

Features

- Conductive Plastic resistive element
- Stroke Length: 10mm, 12mm
- Stainless steel shaft - threaded or plain
- Bronze bearings
- Gold plated terminals
- Platinum Alloy multi-finger wiper
- Internal spring return optional

Electrical Specifications

Resistance Range: 1K to 50K ohms standard
Resistance Tolerance: $\pm 15\%$
Independent Linearity: $\pm 2\%$
Power Rating: 0.2 watt
Electrical Stroke: 0.433 inches
Insulation Resistance: 1,000 Megohms @ 500VDC
Dielectric Strength: 500 VAC min.

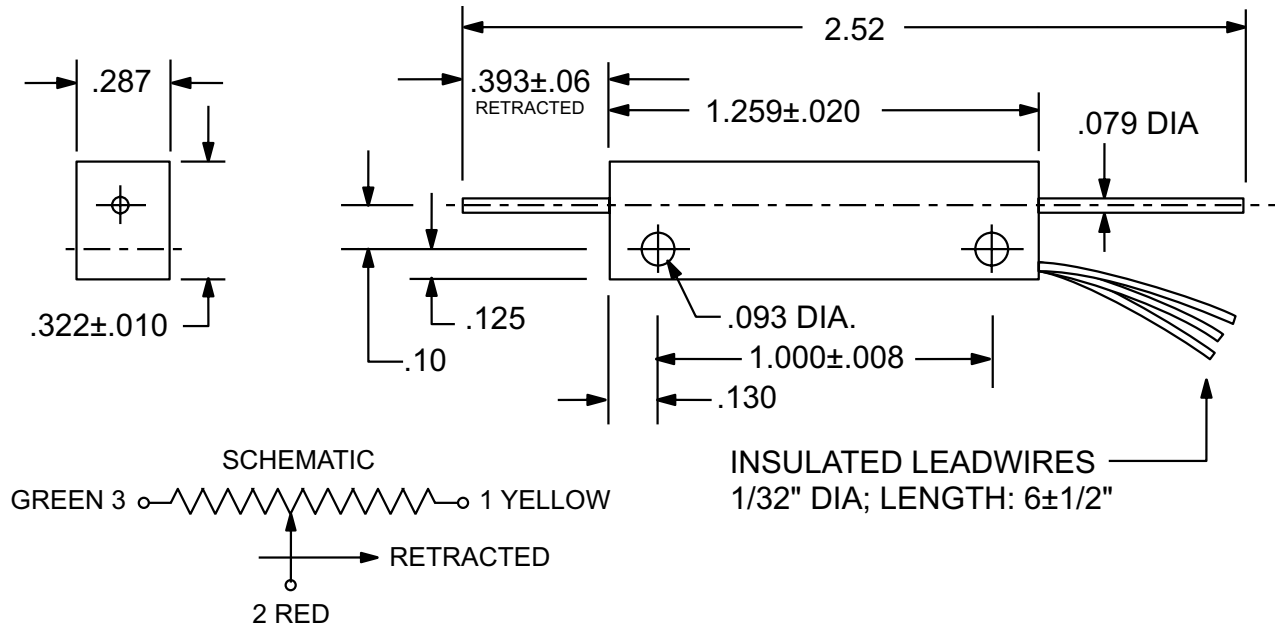
Mechanical Specifications

Stroke Length: 10mm, 12mm
Shaft: Stainless steel - plain, chamfered, or threaded (#2-56 UNC-2A).
Friction: 30 grams
Weight: 0.2 oz
Life Expectance: 20,000,000 strokes

Environmental Specifications

Operating Temperature: -30°C to $+105^{\circ}\text{C}$
Temperature Coefficient: ± 400 PPM/ $^{\circ}\text{C}$
Vibration: 10HZ to 2,000HZ 15G
Shock: 50G 11ms
Moisture Resistance: 40°C 95%RH 120 Hours

LCP8 Conductive Plastic Linear Potentiometer



Ordering Information

Example Part Number: **LCP8-P-10-10K**

LCP8	P	10	10K	SB
Model	Shaft Style	Stroke Length	Resistance	Sealed Body Option
LCP8	P = Plain PS = Plain w/ Spring Return C = Chamfered CS = Chamfered w/ Spring Return T = Threaded #2-56 TS = Threaded w/ Spring Return	10 = 10mm 12 = 12mm	1K = 1K ohms 2K = 2K ohms 5K = 5K ohms 10K = 10K ohms 20K = 20K ohms 50K = 50K ohms	SB = Sealed Body

For more information about this product, visit our website at: www.potentiometers.com

STATE
ELECTRONICS