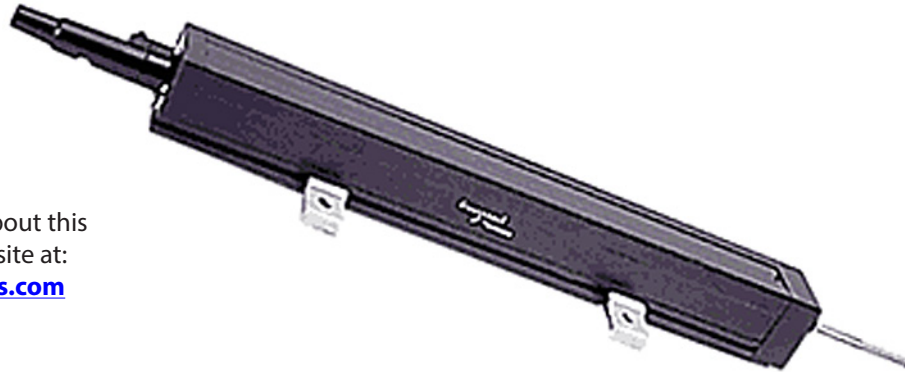


# LCP30 Conductive Plastic Linear Potentiometer



For more information about this product, visit our website at: [www.potentiometers.com](http://www.potentiometers.com)

*Series LCP20 linear potentiometers feature a Conductive Plastic Element*

## Features

- Conductive Plastic resistive element
- All metal housing
- Stroke Length: 100, 200, 300, 400, 500, 750, 1000mm
- Shaft: Plain or #10-32 thread
- Option: External spring return

## Electrical Specifications

Resistance Range:  
1K to 500K ohms standard  
See chart below

Resistance Tolerance:  $\pm 20\%$

Resolution: Essentially infinite

Insulation Resistance: 1,000 Megohms @ 500VDC

Dielectric Strength: 1 Min @ 900VAC

Linearity:  $\pm 0.5\%$  standard;  $\pm 0.1\%$  optional

## Mechanical Specifications

Housing: Anodized Aluminum

Shaft: Stainless steel

Stop Strength: 4.4 lbs. min.

Friction: Below 7 oz.

Life: 10,000,000 strokes

## Environmental Specifications

Operating Temp:  $-30^{\circ}\text{C}$  to  $105^{\circ}\text{C}$

Temp Coefficient:  $\pm 400\text{PPM}/^{\circ}\text{C}$

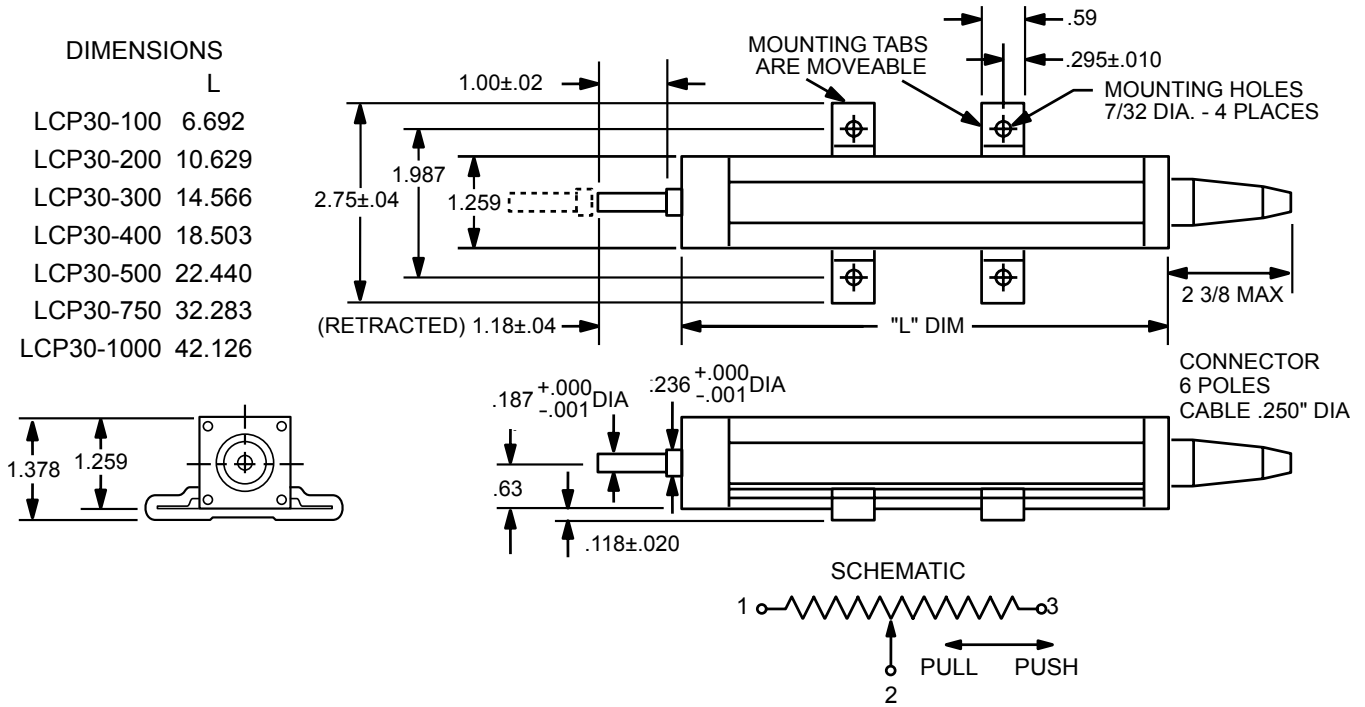
Vibration: 10Hz to 2,000Hz - 15G

Moisture Resistance:  $-40^{\circ}\text{C}$  85%RH 120 Hrs

Shock: 50G 11mS

Model	Weight Ounces	Mech. Stroke	Elec Stroke	Power Watts	Resistance Range
LCP30-100	7.1	4.133"	3.937"	1.25	1K - 10K
LCP30-200	12.3	8.070"	7.874"	1.5	2K - 20K
LCP30-300	17.6	12.007"	11.811"	2.0	3K - 20K
LCP30-400	22.9	15.944"	15.748"	2.5	4K - 100K
LCP30-500	28.2	19.881"	19.885"	5.0	5K - 200K
LCP30-750	45.8	29.527"	29.527"	7.5	5K - 200K
LCP30-1000	62.9	39.370"	39.370"	10.0	10K - 500K

# LCP30 Conductive Plastic Linear Potentiometer



## Ordering Information

Example Part Number: **LCP30-P-300-10K-S**

LCP30	P	300	10K	S
<b>Model</b>	<b>Shaft Style</b>	<b>Stroke Length</b>	<b>Resistance</b>	<b>Options</b>
<b>LCP30</b>	P = Plain Shaft T = Threaded #10-32x1/2"	<b>100</b> = 100mm <b>200</b> = 200mm <b>300</b> = 300mm <b>400</b> = 400mm <b>500</b> = 500mm <b>750</b> = 750mm <b>1000</b> = 1000mm	<b>1K</b> = 1K ohms <b>2K</b> = 2K ohms <b>5K</b> = 5K ohms <b>10K</b> = 10K ohms <b>20K</b> = 20K ohms <b>50K</b> = 50K ohms <b>100K</b> = 100K ohms <b>200K</b> = 200K ohms <b>500K</b> = 500K ohms	<b>S</b> = Internal Spring Return <b>SB</b> = Sealed Body

For more information about this product, visit our website at: [www.potentiometers.com](http://www.potentiometers.com)

