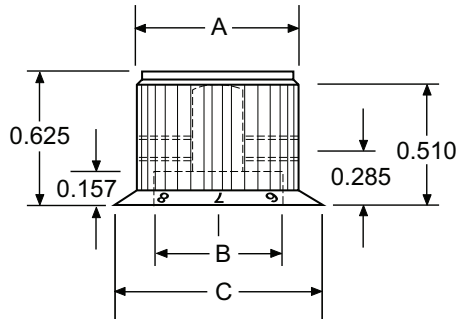
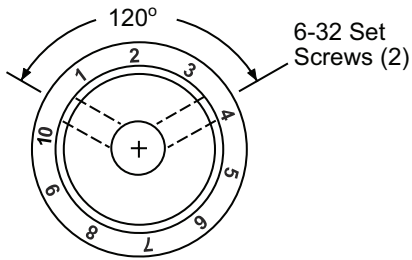


SC Series

The SC Series knob adds Numbers on the skirt to the DDS Series style knob.

Two 6-32 set screws.



SC-90 - Black



SC-75 - Clear



SC-63 - Black



SC-50 - Clear

SC Series - How to Order

Part Number Example: **SC-50-1-5**

SC	50	1	5
	Dimensions (inches)	Color	Shaft
	A B C	1 = Clear Gloss	5 = .250"
	50 = .500 .375 .685	2 = Black Gloss	6 = .125"
	63 = .625 .500 .875	3 = Clear Matte	6mm = 6mm
	75 = .750 .590 1.000	4 = Black Matte	
	90 = .925 .708 1.250		