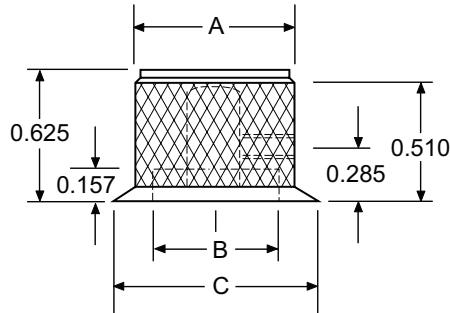
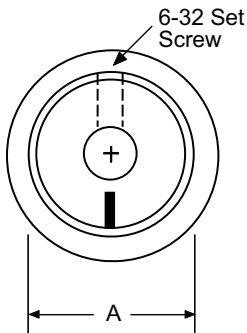


OES Series

The OES Series knob adds a diamond-cut knurled finish to the DDS Series style knob.

Indicator is either an Arrow or Line on the top.
One 6-32 set screw.



OES-90 - Black



OES-75 - Clear



OES-63 - Black



OES-50 - Clear

OES Series - How to Order

Part Number Example: **OESL-50-1-5**

OES	L	50	1	5
Indicator		Dimensions (inches)	Color	Shaft
A = Arrow		A B C	1 = Clear Gloss	5 = .250"
L = Line		50 = .500 .375 .685	2 = Black Gloss	6 = .125"
		63 = .625 .500 .875	3 = Clear Matte	6mm = 6mm
		75 = .750 .590 1.000	4 = Black Matte	
		90 = .925 .708 1.250		