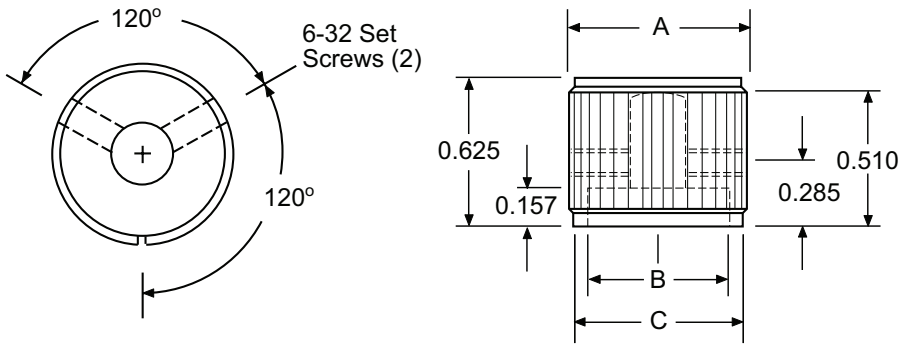


DD Series

The DD Series knob is one of our most popular.

The distinctive styling along with the straightforward functionality makes this knob an outstanding selection for any panel application.

Saw cut indicator line on front length. Two 6-32 set screws.



DD-90 - Black



DD-75 - Clear



DD-63 - Black



DD-50 - Clear

DD Series - How to Order

Part Number Example: **DD-50-1-5**

DD	50	1	5
	Dimensions (inches)	Color	Shaft
	A B C	1 = Clear Gloss	5 = .250"
	50 = .500 .375 .445	2 = Black Gloss	6 = .125"
	63 = .625 .500 .570	3 = Clear Matte	6mm = 6mm
	75 = .750 .590 .695	4 = Black Matte	
	90 = .925 .708 .882		