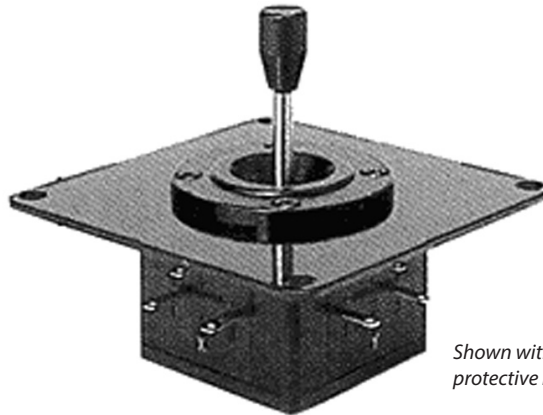


J40 Series Wide Angle Resistive Joystick



For more information about this product, visit our website at:
www.potentiometers.com



Shown without protective rubber boot

J40 Series Wide Angle Resistive Joystick *Fine Precision Joystick Series*

Features

- Two Axis Joystick (X,Y)
- 1.57" handle height
- 60° deflection angle ($\pm 30^\circ$)
- Tapered knob
- Spring return to center
- Circular deflection pattern
- 10K ohm precision potentiometer
- Protective rubber boot
- IP65 rating above panel

Options

- Single Axis (X)
- Square limiter plate
- Cross (+) limiter plate
- Light Friction clutch
- Non-standard resistance
- Digital code switches
- Center-tapped potentiometer(s)
- Mounting plate
- Push button handle
- Tall Tapered Handle
- Without boot
- Mounting plate

Electrical Specifications

Resistance: 10K Ohms Conductive Plastic
Resistance Tolerance: $\pm 15\%$
Independent Linearity: $\pm 3.0\%$
Power Rating: (X, Y) 0.2 watt
Lever Electrical Angle: (X,Y) - 60°
Resolution: Essentially infinite
Output Smoothness: Below 0.3% against input voltage
Contact Resistance Variation: Below 5%
Insulation Resistance: 1000 Meg@500VDC
Dielectric Strength: 1 minute @ 500 VAC
Max. Wiper Output: 5mA, 1ma rec.

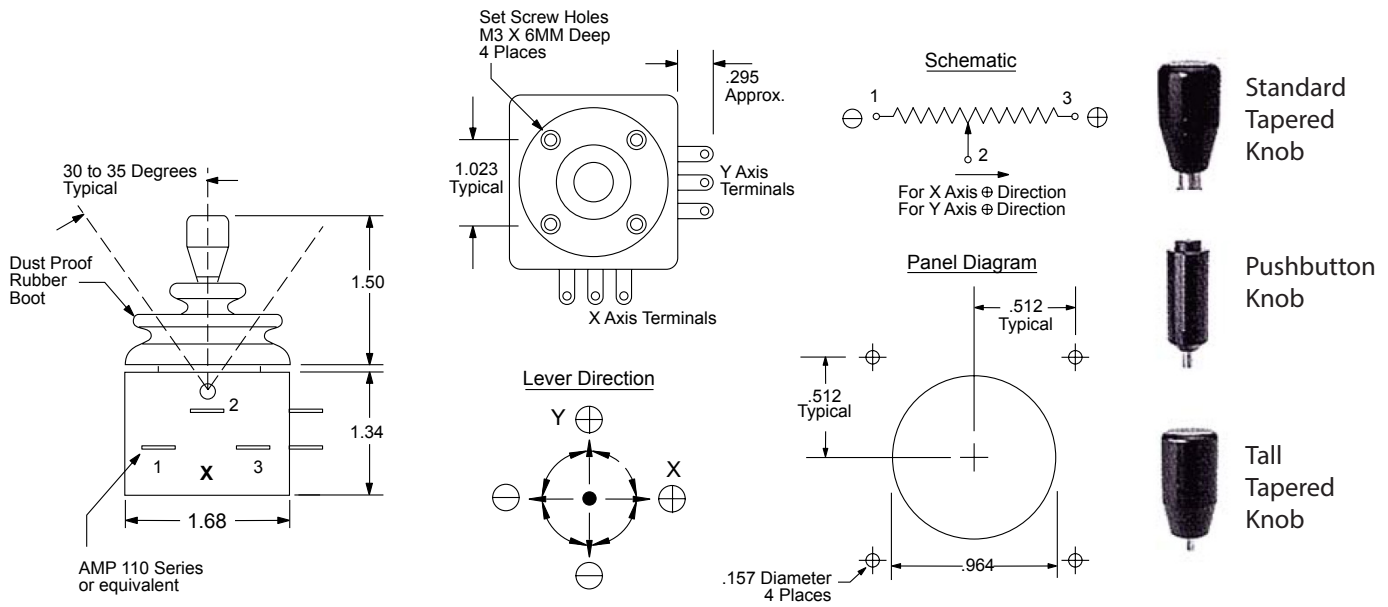
Mechanical Specifications

Lever Deflection (X,Y): $\pm 30^\circ$ to $\pm 35^\circ$
Operating Force (X, Y): 3.52 to 17.64 oz-F
Body Material: Aluminum and High temp. Thermoplastic
Knob Material: Hard plastic
Weight: Approx 5.7 oz
Service Life: 5,000,000 operations

Environmental Specifications

Operating Temperature: -20°C to +65°C
Rating: IP 65 Above Panel

J40 Series Wide Angle Resistive Joystick



Ordering Information

Example Part Number: **J40-2-MP**

J40	2	(blank)	MP
Model	Axis	Limiter Plate	LF = Light Friction clutch NS = Non-standard resistance CT = Center tapped pots DC = Digital Code Switches MP = Mounting plate PB = Push button handle TT = Tall Tapered Handle WB = Without boot
J40	2 = 2 axis (X,Y) (standard) 1 = Single axis (X)	None = Circular deflection - no limiter plate (standard) Square Cross (+)	

For more information about this product, visit our website at: www.potentiometers.com

