

J30 Series Triple Axis Resistive Joystick



For more information about this product, visit our website at:
www.potentiometers.com



J30 Series Triple Axis Resistive Joystick *Fine Precision Joystick Series*

Features

- Three Axis Joystick (X,Y, Z)
- 2.56" handle height
- 30° deflection angle ($\pm 15^\circ$)
- Z axis twist knob ($\pm 30^\circ$)
- Spring return to center on all three axis
- Circular deflection pattern
- 10K ohm precision potentiometer
- Protective rubber boot
- IP65 rating above panel

Options

- Single Axis (Z)
- Two Axis (Y, Z)
- Square limiter plate
- Cross (+) limiter plate
- Non-standard resistance
- Center-tapped potentiometer(s)
- Mounting plate

Electrical Specifications

Resistance: 10K Ohms
Resistance Tolerance: $\pm 20\%$
Independent Linearity: $\pm 5.0\%$
Power Rating: (X, Y) 0.1 watt; (Z) 0.04 watt
Lever Electrical Angle: (X,Y) - 20° ; (Z) - 60°
Resolution: Essentially infinite
Output Smoothness: Below 0.2% against input voltage
Contact Resistance Variation: Below 6%
Insulation Resistance: 1000 Meg@500VDC
Dielectric Strength: 1 minute @ 500 VAC
Max. Wiper Output: 1mA, 10ua rec.

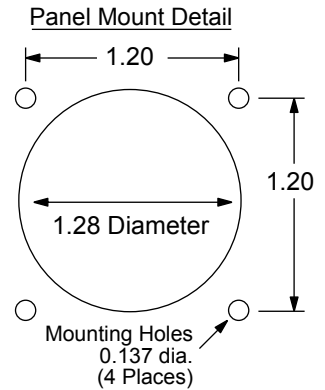
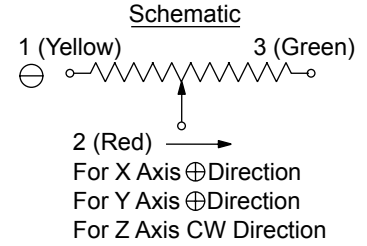
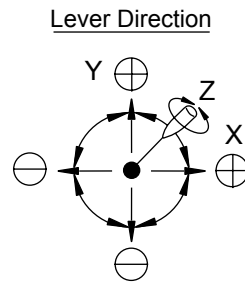
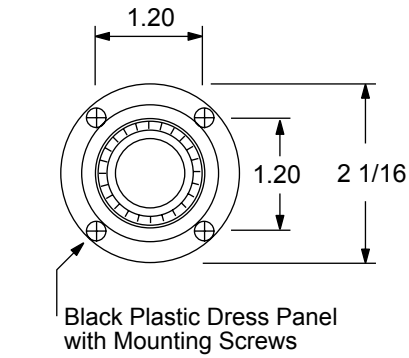
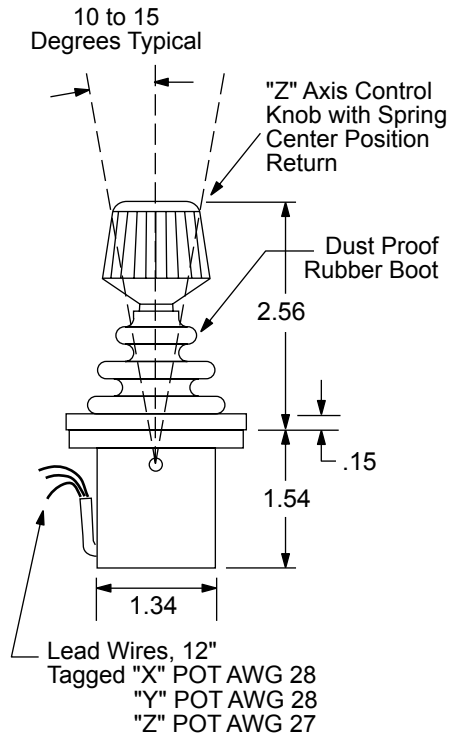
Mechanical Specifications

Lever Deflection (X,Y): $\pm 10^\circ$ to $\pm 15^\circ$
Lever Deflection (Z): $\pm 30^\circ$ to $\pm 35^\circ$
Operating Force (X, Y): 3.6 to 7.14 oz-F
Operating Force (Z): 4.23 to 9.87 oz-in
Body Material: Aluminum and High temp. Thermoplastic
Knob Material: Hard plastic
Service Life: 2,000,000 operations

Environmental Specifications

Operating Temperature: -20°C to $+60^\circ\text{C}$
Environmental: IP 65 Above Panel

J30 Series Triple Axis Resistive Joystick



Ordering Information

Example Part Number: **J30-3-CT-MP**

J30	3	(blank)	CT
Model	Axis	Limiter Plate	Options
J30	3 = 3 axis (X,Y,Z) 2 = 2 axis (X,Y) 1 = 1 axis (X)	None = Circular deflection - no limiter plate (standard) Square Cross (+)	NS = Non-standard resistance CT = Center tapped potentiomer(s) MP = Mounting plate

For more information about this product, visit our website at: www.potentiometers.com

STATE
ELECTRONICS

© State Electronics

36 State Route 10, STE 6 • East Hanover, NJ 07936-0436
973-887-2550 • Toll Free 1-800-631-8083 • Fax 973-887-1940
<http://www.potentiometers.com>