

J1

Low Profile "Switch Stick" Joystick



*J1 Series Low Profile "Switch Stick" Joystick
Light Industrial Joystick Series*

Features

- Two Axis Joystick
- 1.73" handle height
- 24° deflection angle ($\pm 12^\circ$)
- Spring return to center
- Tapered knob (Click here to view)
- Four 5 amp/250VAC SPST directional switches (N.O and N.C contacts)
- 4-way or 8-way directional switching
- Four point mounting with hardware
- Protective rubber boot (IP65 rating above panel)
- Single axis and plus (+) pattern limiter plates included

Options

- 8 switches (4 Redundant switches, DPST)
- Cylindrical, pushbutton knobs
- Bushing Mounting

Electrical Specifications

Nominal Current Rating: 5 Amp
Max Voltage: 250 VAC

Mechanical Specifications

Lever Travel: $\pm 12^\circ$ frpm center
Lever Material: Stainless steel
Body Material: Mineral filled Nylon-6
Knob Material: Nylon or Aluminum
Boot Material: Vinyl
Termination: Solder

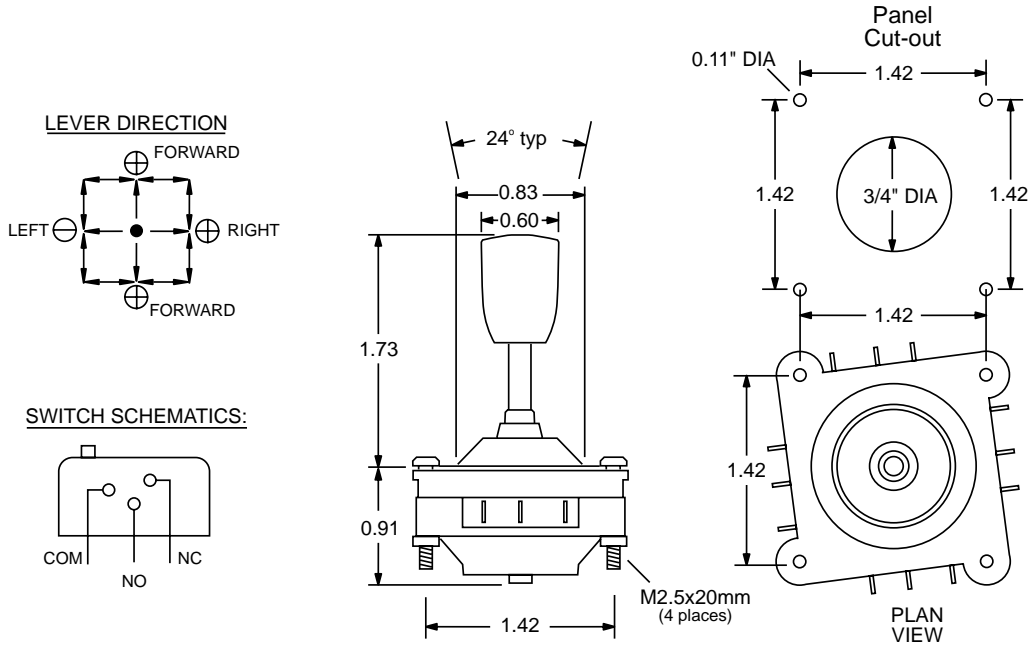
Life Expectancy: 5,000,000 operations

Environmental Specifications

Operating Temperature: -20°C to $+50^\circ\text{C}$
IP65 Above Panel

J1

Low Profile "Switch Stick" Joystick



Ordering Information

Example Part Number: **J1-4-Taper**

| J15 | P | 25 | SB |
|--------------|----------------------------------|---------------------------------|----------------|
| Model | Switches | Knob | Options |
| LCP15 | 4 = 4 Switches 8 = 8 Switches | Taper Cylinder Pushbutton | BU = Bushing |

On-line Quotations are available at <http://www.potentiometers.com>



36 Route 10 East Hanover, NJ 07936
 (800) 631-8083 Local: (973) 887-2550
 e-Mail: sales@state-elec.com
<http://www.state-elec.com> <http://www.potentiometers.com>

J1, J3L, J4, and J9 Series Joysticks
Knob and Rubber Boot Design Guide

| Knob/Boot Type | ----- Joystick Series ----- | | | | ----- Dimensions (nominal) ----- | | |
|-------------------|-----------------------------|-----------------|-----------------|-----------------|----------------------------------|-------------|-------------|
| | J1 | J3L | J4 | J9 | Length | Width | Height |
| Ball Knob | - | Optional | - | Standard | 1.2"(30mm) | 11.2"(30mm) | 1.07"(27mm) |
| Cylindrical Knob | Optional | Standard | Optional | Optional | 0.5"(12mm) | 0.5"(12mm) | 1.37"(35mm) |
| Tapered Knob J1 | Standard | - | - | - | 0.6"(15mm) | 0.6"(15mm) | 0.8"(20mm) |
| Tapered - J4, J9 | - | - | Standard | Optional | 0.7"(18mm) | 0.7"(18mm) | 1"(25mm) |
| Push Button Knob | Optional | Optional | - | Optional | 0.5"(12mm) | 0.5"(12mm) | 1.54"(39mm) |
| Skirted Knob | - | - | - | Optional | 1.53"(39mm) | 1.53"(39mm) | 1.77"(45mm) |
| Large Ribbed Boot | Standard | - | - | Standard | - | - | 1.25"(32mm) |
| Small Ribbed Boot | Optional | See PDF | - | Optional | - | - | 1.25"(32mm) |
| Low Profile Boot | Standard | - | - | - | - | - | - |



Pushbutton



Ball



Cylindrical



Skirted



Tapered
J4, J9



Tapered
J1



Small Ribbed Boot



Large Ribbed Boot