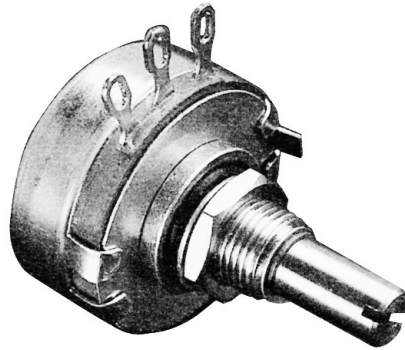


For more information about this product, visit our website at: www.potentiometers.com



The unique Custom Resistive Potentiometer offers cost-effective precision control solutions for Speed Control, Joysticks, Robotics, and Electric Vehicles

Features

Conductive Plastic resistive element
Stainless steel or Nickel-plated Brass shaft (see table 1)
Rotational Life: 25,000 to 1,500,000 cycles (see table 1)
RoHS Compliant

Electrical Specifications

5K Ω - 10K Ω resistance (see table 1)
Active Region: 45°
Tolerance: $\pm 10\%$
Linearity: $\pm 5.0\%$
Residual Resistance $\pm 6\Omega$ at either end
Variable Resistance Band is at approximate center of mechanical travel
Power Rating: 1.0 Watt@70° C
Dielectric Strength: 1,000 VAC (60 seconds)

Mechanical Specifications

Mechanical Rotation: 312° $\pm 5^\circ$
Shaft end: Slotted
Rotational Torque: 6.0 oz-in max.
Finish: External epoxy coating
Hardware: 3/8-32 NEF Nut and 3/8" lockwasher

Environmental Specifications

Operating Temperature: -55° C to 120° C

Custom Resistive Tracks

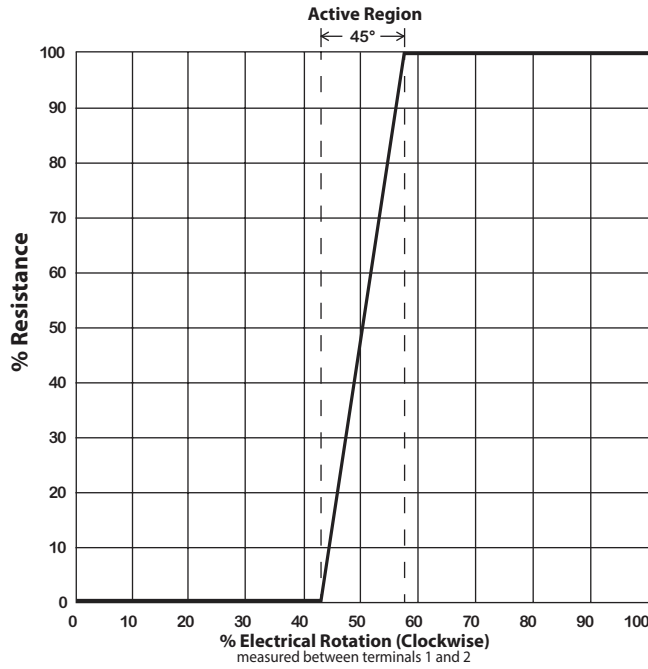
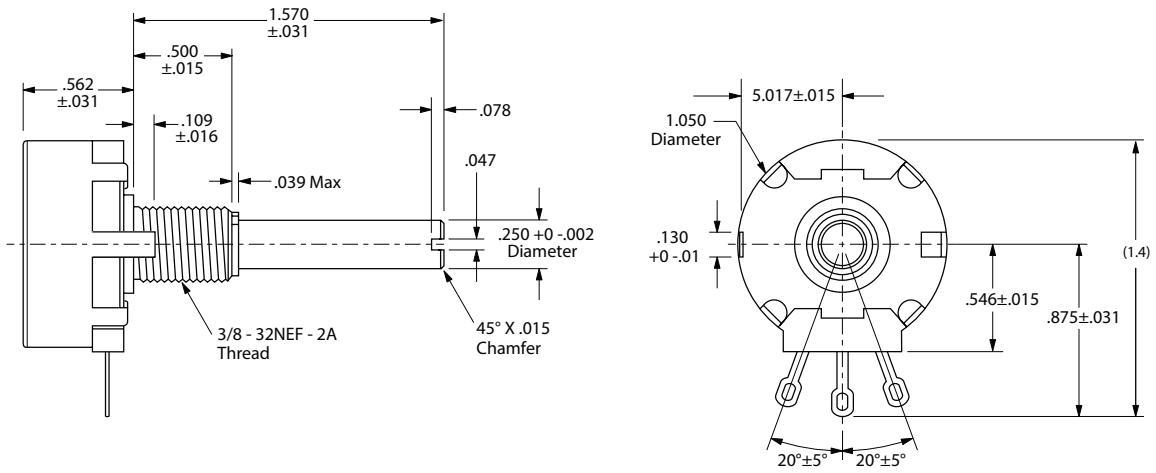


Table 1: Ordering Information

Part Number	Nominal Resistance	Centered Tracking	Shaft Length (FMS)	Bushing Length	Shaft Material	Rotational Life	Rotational Torque MAX	Other Features
C0416079 CM44675 PMC98191 P270-045B RT-040 485008M8840	5K	45°	.812	.500	Brass Ni Plate	1,500,000	4.0 oz. in.	Slotted Shaft End
C0408366	10K	45°	2.00	.375	Stainless Steel	25,000	4.0 oz. in.	Plain Shaft Ending
P270-122A	5K	45°	1.57	.500	Stainless Steel	1,000,000	6.0 oz. in.	Internal O-ring Shaft Seal

For more information about this product, visit our website at: www.potentiometers.com

