

# MODEL PS20M, PS30M, PS45M, PS60M

Dual Gang Slide Potentiometer

Molded Element

100,000 Cycle Life

Metal or Plastic Shaft Options

Dust Cover Option

RoHS Compliant



For more information about this product, visit our website at:  
[www.potentiometers.com](http://www.potentiometers.com)

## Model Styles

Dual Gang , 20mm Travel	PS20M
Dual Gang , 30mm Travel	PS30M
Dual Gang , 45mm Travel	PS45M
Dual Gang , 60mm Travel	PS60M

## Electrical Specifications

Resistance Range, Ohms	500 -1M
Standard Resistance Tolerance	± 20%
Resistance Tapers	A,B,C
Residual Resistance	Terminals 1 to 2: Less than 10 ohms Terminals 2 to 3: Less than 30 ohms
Input Voltage,	Maximum Linear B taper: 200 Vac; Other tapers: 150 Vac
Power rating, Watts (Single Unit / Dual Unit)	Linear B taper: 20mm: 0.1W / 0.05W, 30mm: 0.2W / 0.1W 45mm: 0.25W / 0.125W, 60mm:0.2W / 0.2W Other tapers: 20mm: 0.05W / 0.025W, 30mm: 0.1W / 0.05W 45mm: 0.125W / 0.06W, 60mm:0.1W / 0.1W
Dielectric Strength	300Vac, 1 minute
Insulation Resistance, Minimum	10M ohms at 250Vdc/ 1 minute
Sliding Noise	Less than 100mV
Gang Error	±3dB (-40dB to 0dB)

## Mechanical Specifications

Static Stop Strength, Minimum	5.0 Kgf/cm
Operating Force	10gf to 100gf
Detent Slip-out force	30gf to 200gf

## Durability

Sliding Life	100,000 cycles
--------------	----------------

Specifications subject to change without notice.

# MODEL PS20M, PS30M, PS45M, PS60M

## Ordering Information

**PS30M - 0 P C 1 F B R100K N**

Model Style

Travel in millimeters  
20, 30, 45, 60

Detent  
0 = Without  
1 = Center

Lever Material:  
P = Plastic  
M = Metal

Lever Type:  
See Below

Lever Length:  
See "L" Code  
Below

Frame Option:  
Blank = Without  
F = With

Dust Cover \*  
Blank = with Dust Cover  
N = without Dust Cover

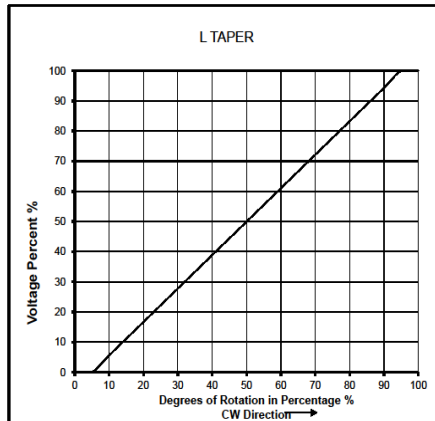
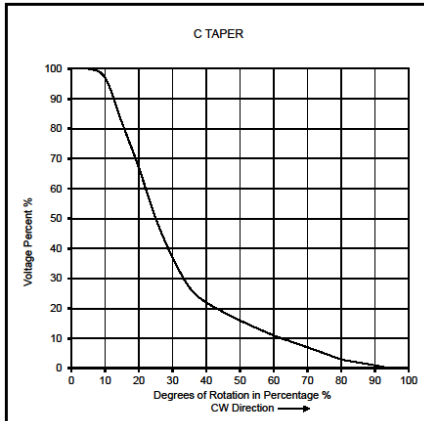
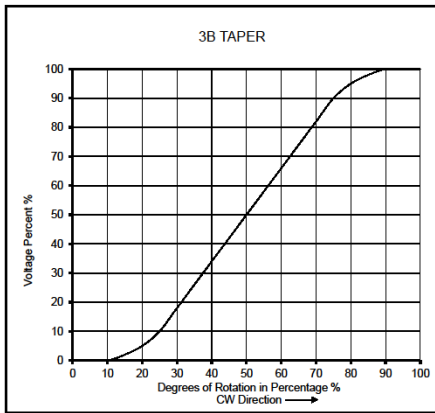
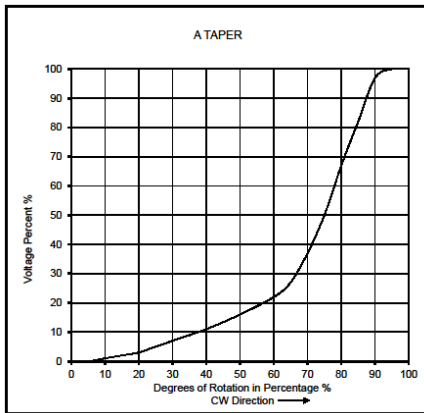
Total Resistance  
A = Audio  
B = Linear (3B taper for Dual Gang)  
C = Reverse Audio  
L = Linear (Dual Gang Only)

## Standard Resistance Values, Ohms

500 1K 2K 5K 10K 20K 50K 100K 200K 500K 1MEG

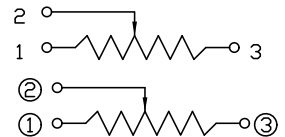
## Taper Curves

**Tapers**  
For Dual Gang units ONLY, the Standard Taper is a 3B taper  
If Linear Taper is desired, use "L" taper option



## Circuit Diagram

**PSM (Dual gang)**



# MODEL PS20M, PS30M, PS45M, PS60M

## Plastic Lever Types

E-Type		B-Type		C-Type		D-Type		
L	5.0	L	15	L	10 15	L	10 15 20	
CODE	1	CODE	1	CODE	1 2	CODE	1 2 3	

\* Dust Cover option not offered for levers less than 10 mm in length

## Metal Lever Types

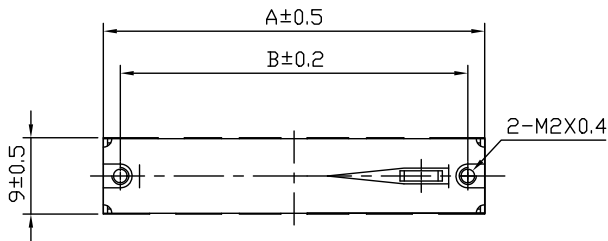
D-Type				C-Type				E-Type	
L	15	20	25	F	5	10	10	L	7.6
CODE	1	2	3	CODE	1	2	3	CODE	1

\* Dust Cover option not offered for levers less than 10 mm in length

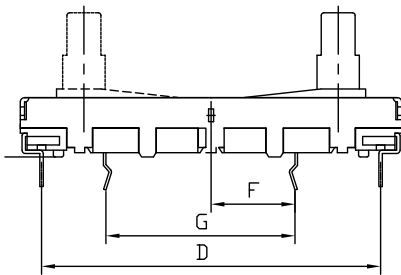
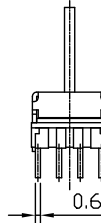
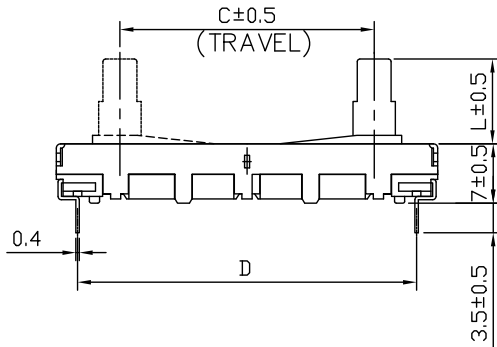
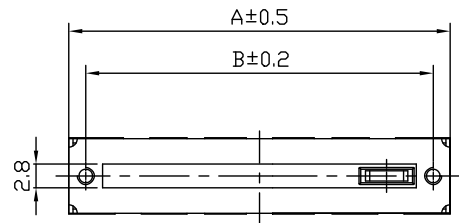
# MODEL PS20L, PS30L, PS45L, PS60L

## Outline Drawing

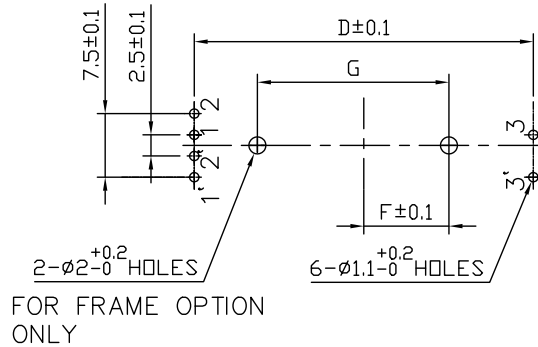
**With Dust Cover**



**Without Dust Cover**



FRAME OPTION (F)



## Dimensions

MODEL	A	B	C	D	F	G
PS20M	35	31	20	30	5	12.5
PS30M	45	41	30	40	10	22.5
PS45M	60	56	45	55	15	32.5
PS60M	75	71	60	70	22.5	47.5

For more information about this product,  
visit our website at:  
[www.potentiometers.com](http://www.potentiometers.com)

