

MODEL P270 / P271 / P272

27mm Rotary Potentiometer

Long Life - 1 Million cycles

Conductive Plastic Element

Heavy Duty Applications

Sealed Unit Available

RoHS Compliant



For more information about this product, visit our website at:

www.potentiometers.com



Model Styles

Panel, Solder Lugs, Single Gang	P270
Panel, Solder Lugs, with Center Tap	P271
Panel, Solder Lugs, Dual Gang	P272

Electrical Specifications

Resistance Range, Ohms	200-1M Ω for "B" taper; 1K-1M Ω for other tapers
Standard Resistance Tolerance	$\pm 10\%$
Residual Resistance	6 Ω max.
Input Voltage, maximum	500 Vdc not to exceed power rating
Power rating, Watts	2 Watts @ 70°C for "B" Taper, 1 Watt for all others
Dielectric Strength	1000VAC, 1 minute
Insulation Resistance, Minimum	50M ohms at 500Vdc
Sliding Noise	100mV max.
Actual Electrical Travel, Nominal	300°
Electrical Continuity, Nominal	312°

Mechanical Specifications

Total Mechanical Travel	312° $\pm 5^\circ$
Static Stop Strength, Maximum	200 oz-in
Rotational Torque, (Single gang)	Dust Proof : 1.0.oz-in. Maximum; Sealed : 1.0 to 2.5 oz-in
Rotational Torque, Maximum (Dual gang)	Dust Proof (IP50): 3.0.oz-in.; Sealed (IP64): 5.0 oz-in
Panel Nut Tightening Torque	25 lb-in

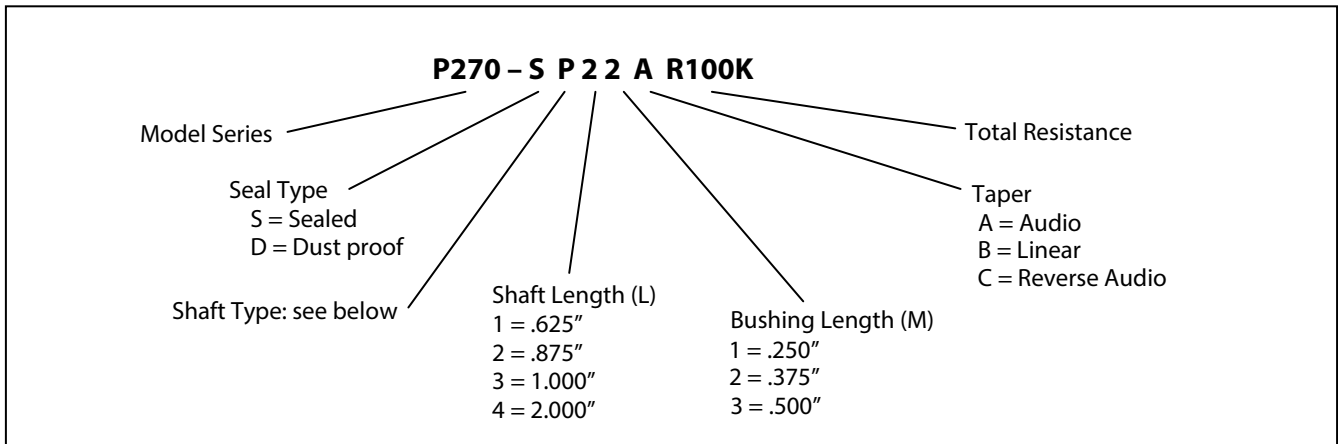
Environmental Specifications

Operating Temperature Range	-55°C to +120°C
Rotational Load Life	1M Cycles (10% ΔR)

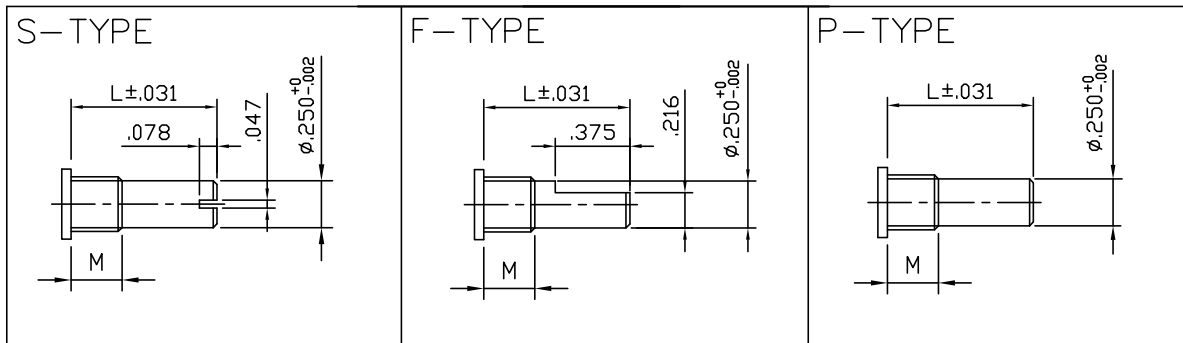
Specifications subject to change without notice.

MODEL P270 / P271 / P272

Ordering Information



Shaft Types



Standard Resistance Values, Ohms

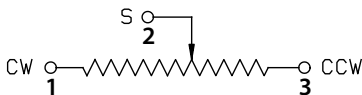
1K	2K	5K
10K	20K	50K
100K	200K	500K
1MEG		

F-TYPE Shaft – Bushing Combinations

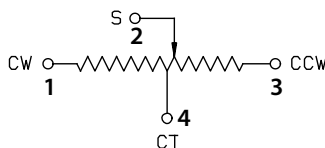
Shaft Length(L)	Bushing Length (M)	Flat Length (T)
(1) = .625	(1) = .250	.315
(1) = .625	(2) = .375	.180
(1) = .625	(3) = .500	Not Available
(2) = .875	(3) = .500	.315
All Other Combinations		.375

Circuit Diagram

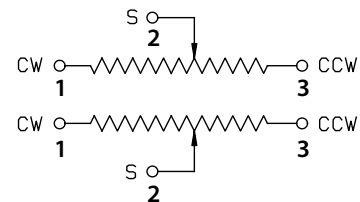
P270 (without Center Tap)



P271 (with Voltage Center Tap)



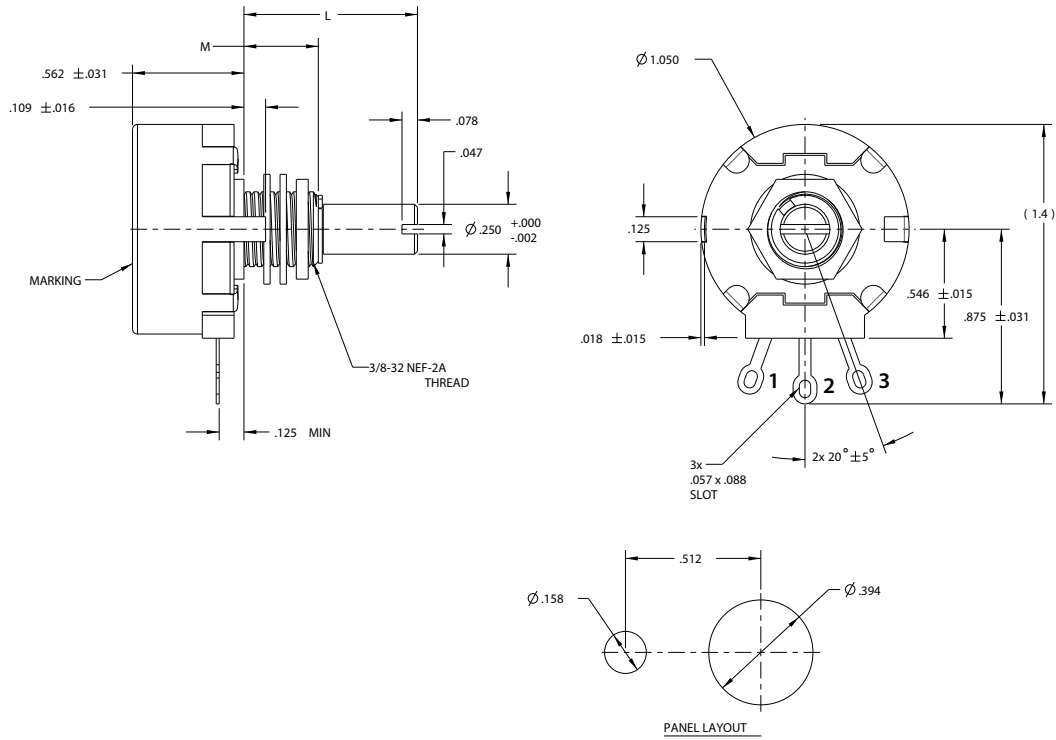
P272 (Dual Gang)



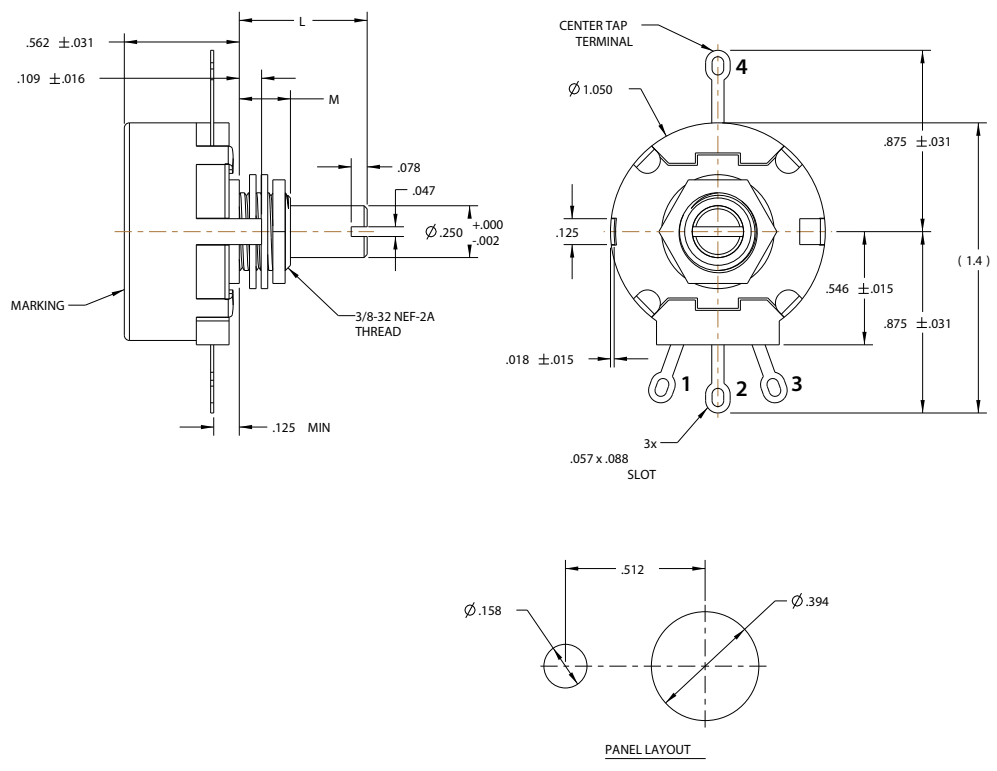
MODEL P270 / P271 / P272

Outline Drawing

Model 270

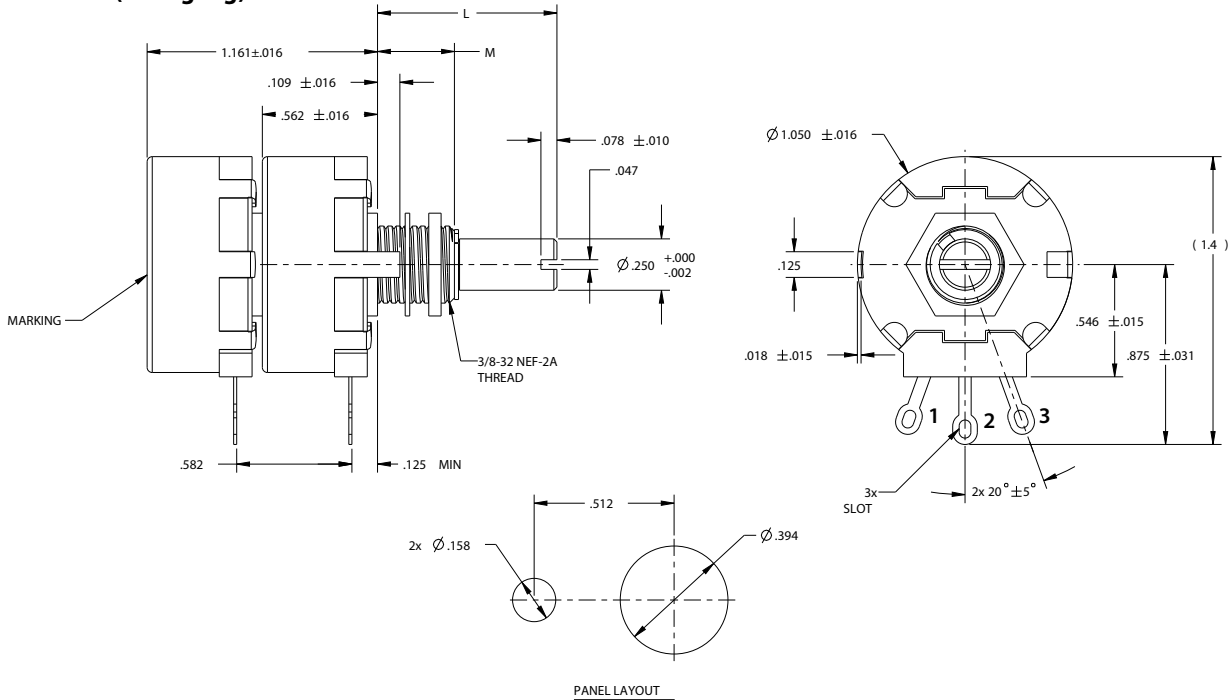


Model 271 (Center Tap)



MODEL P270 / P271 / P272

Model 272 (Dual gang)

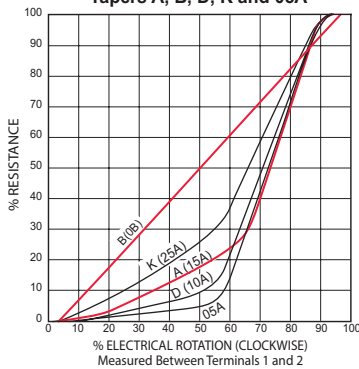


Taper Curves

Audio / Log Tapers

- A** = Audio Taper (15A) - Standard
- B** = Linear Taper (0B)
- Other tapers shown are Semi-Custom
- Minimum Order required

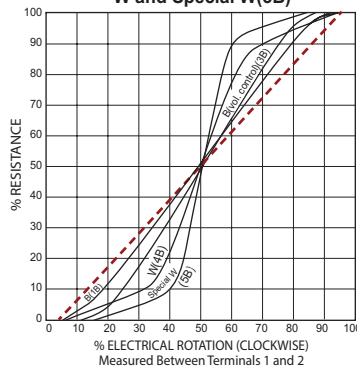
Tapers A, B, D, K and 05A



More Semi-Custom Tapers

Minimum Order required

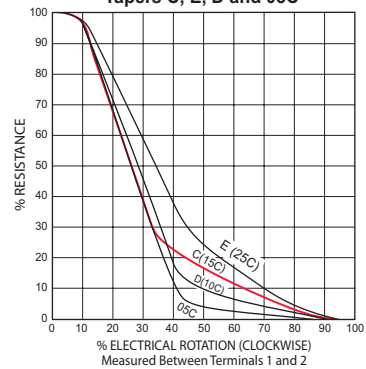
Tapers B, B(volume control), W and Special W(5B)



Reverse Audio / Log Tapers

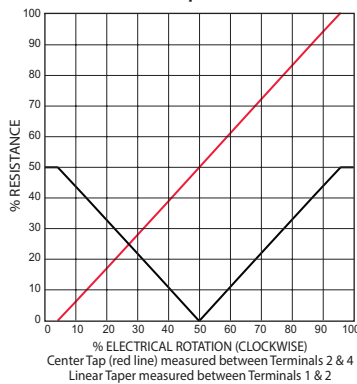
- C** = Reverse Audio Taper (15C) - Standard
- Other tapers shown are Semi-Custom
- Minimum Order required

Tapers C, E, D and 05C



Center Tap - Linear Taper

Taper B



For more information about this product, visit our website at: www.potentiometers.com

