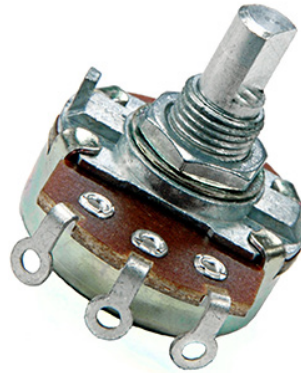


MODEL P231
24mm Rotary Potentiometer
Conductive Plastic Element
100,000 Cycle Life
Metal Shaft and Bushing
RoHS Compliant



For more information about this product, visit our website at: www.potentiometers.com

Model Styles

Side Adjust , Solder Lugs

P231

Electrical Specifications

Resistance Range, Ohms	500-1M
Standard Resistance Tolerance	± 20%
Residual Resistance	20 ohms max.
Input Voltage, maximum	500 Vac max.
Power rating, Watts	0.5W- B taper, 0.25W-others
Dielectric Strength	500Vac, 1 minute
Insulation Resistance, Minimum	100M ohms at 250Vdc
Sliding Noise	100mV max.
Actual Electrical Travel, Nominal	260°

Mechanical Specifications

Total Mechanical Travel	300°± 10°
Static Stop Strength	70 oz-in
Rotational Torque, Maximum	2.5 oz-in

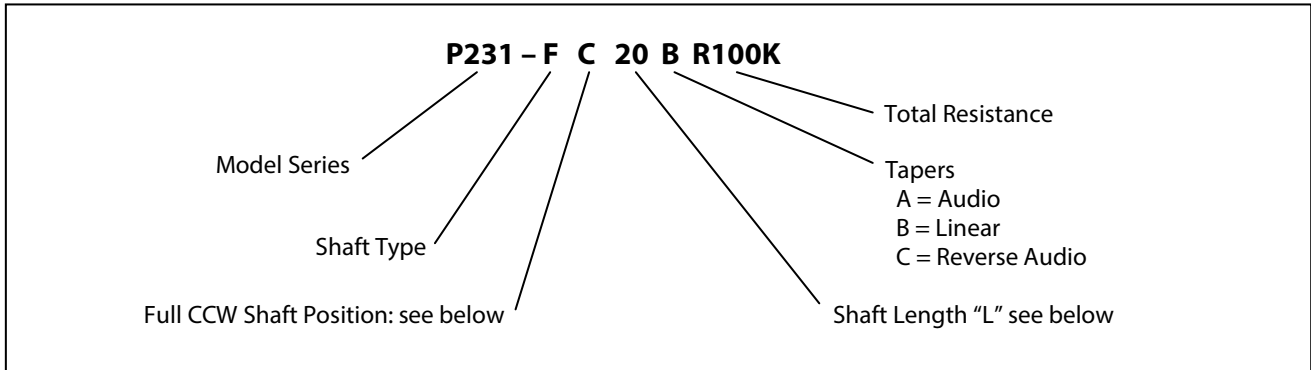
Environmental Specifications

Operating Temperature Range	-20°C to +70°C
Rotational Life	100,000 cycles

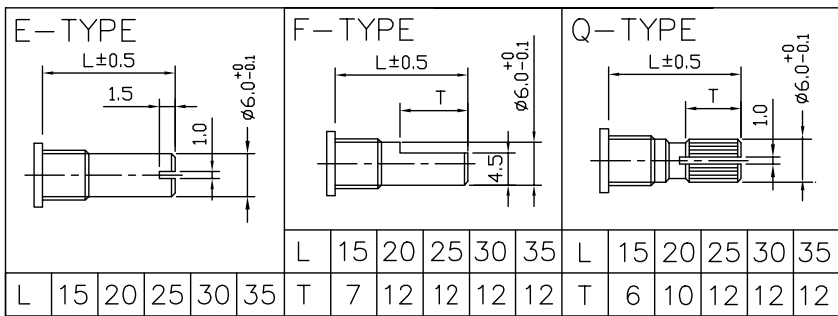
Specifications subject to change without notice.

MODEL P231

Ordering Information

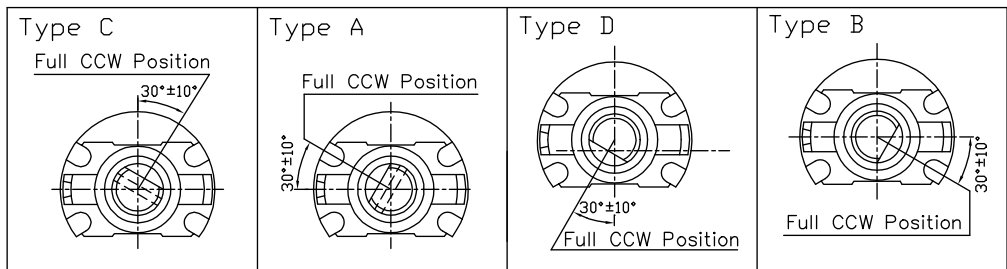


Shaft Types



Shaft Position (F-Type Shaft)

Dashed lines on Type "C" and Type "A" shows position of adjustment slot for E-Type and Q-Type shafts

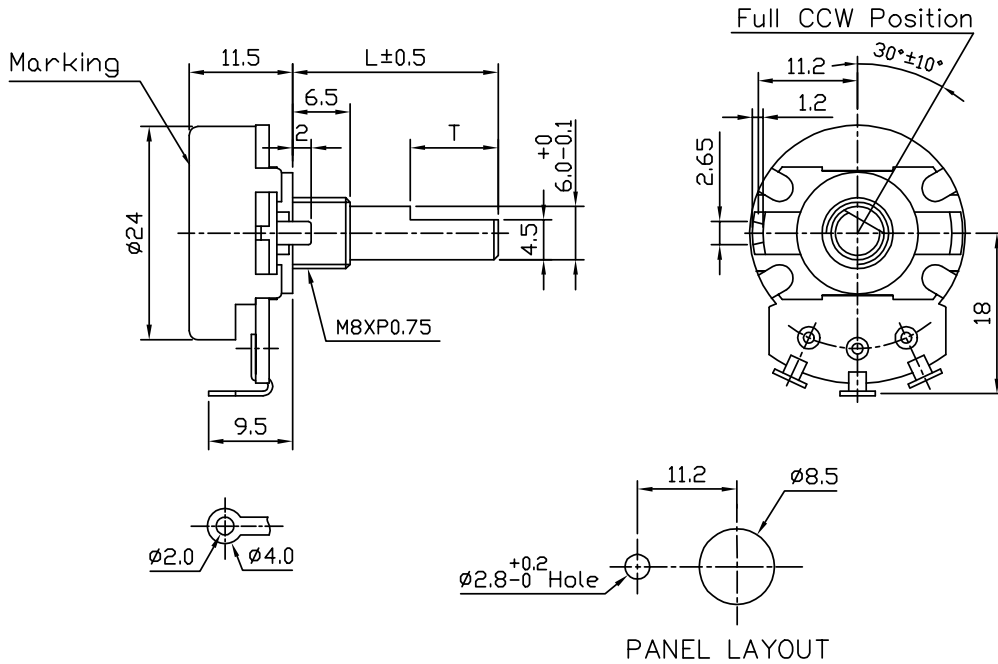


Standard Resistance Values, Ohms

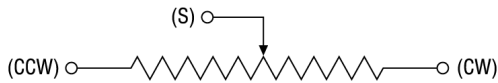
500 1K 2K 5K 10K 20K 50K 100K 200K 500K 1MEG

MODEL P231

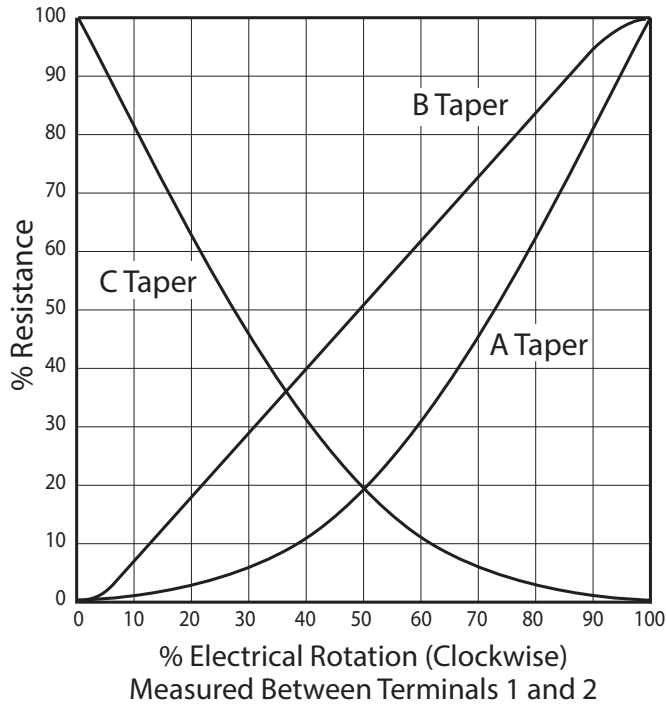
Outline Drawing



Circuit Diagram



Taper Curves



© State Electronics
 36 State Route 10, STE 6 • East Hanover, NJ 07936-0436
 973-887-2550 • Toll Free 1-800-631-8083 • Fax 973-887-1940
<http://www.potentiometers.com>