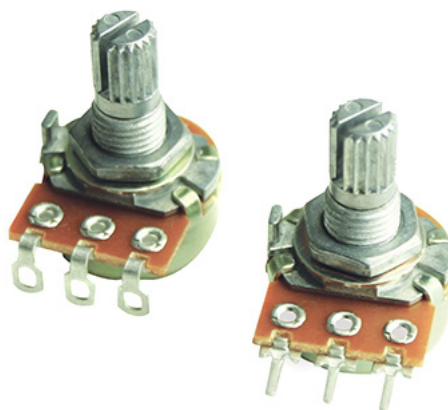


MODEL P160
16mm Rotary Potentiometer
Conductive Plastic Element
100,000 Cycle Life
Metal shaft / Bushing
Multi – Ganged available
RoHS Compliant



For more information about this product, visit our website at:
www.potentiometers.com

Model Styles

Side Adjust , Solder Lugs	P160KNP
Side Adjust , PC pins	P160KN
Side Adjust , PC Pins, Long pins	P160KN2
Rear Adjust, PC pins	P160KNPD

Electrical Specifications

Resistance Range, Ohms	500-1M
Standard Resistance Tolerance	± 20%
Residual Resistance	20 ohms max.
Power rating Input Voltage, maximum	200 Vac max.
Power Rated, Watts	0.2W- B taper, 0.1W-others
Dielectric Strength	500Vac, 1 minute
Insulation Resistance, Minimum	100M ohms at 250Vdc
Sliding Noise	100mV max.
Actual Electrical Travel, Nominal	260°

Mechanical Specifications

Total Mechanical Travel	300°± 10°
Static Stop Strength	90 oz-in
Rotational Torque	0.5 to 1.25 oz-in

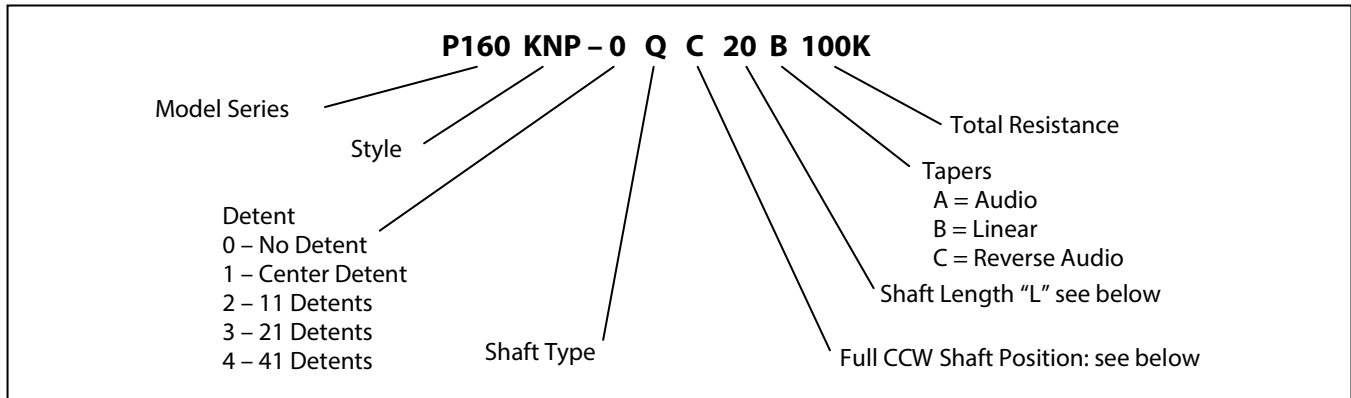
Environmental Specifications

Operating Temperature Range	-20°C to +70°C
Rotational Life	100,000 cycles

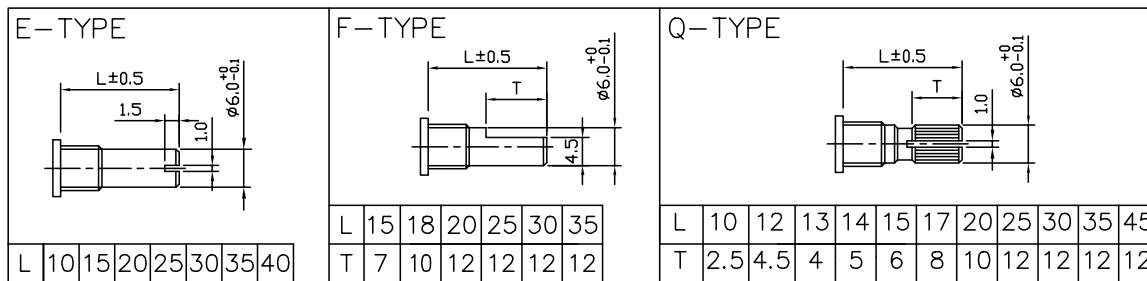
Specifications subject to change without notice.

MODEL P160

Ordering Information

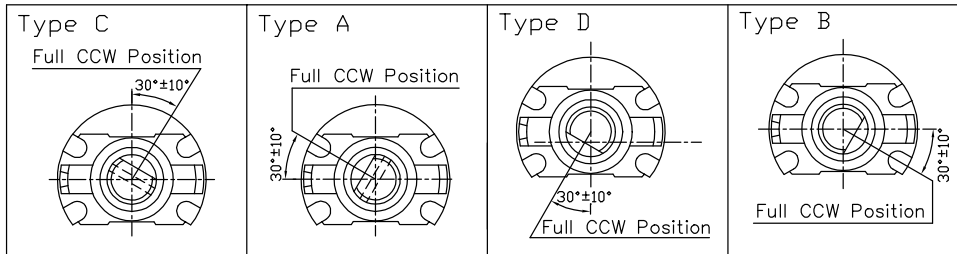


Shaft Types



Shaft Position (F-Type Shaft)

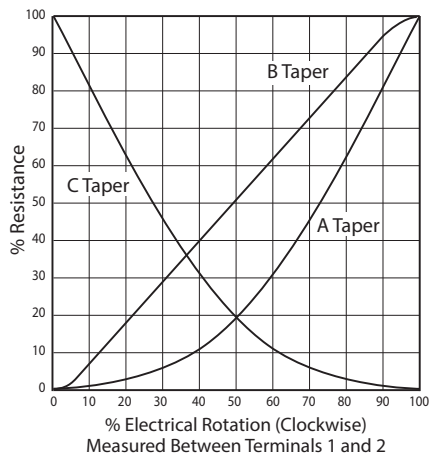
Dashed lines on Type "C" and Type "A" shows position of adjustment slot for E-Type and Q-Type shafts



Standard Resistance Values, Ohms

500 1K 2K 5K 10K 20K 50K 100K 200K 500K 1MEG

Taper Curves

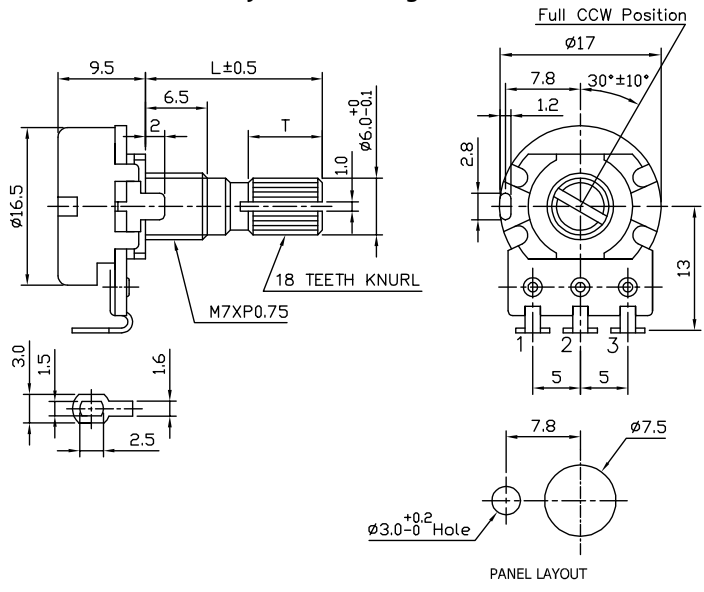


For more information about this product, visit our website at:
www.potentiometers.com

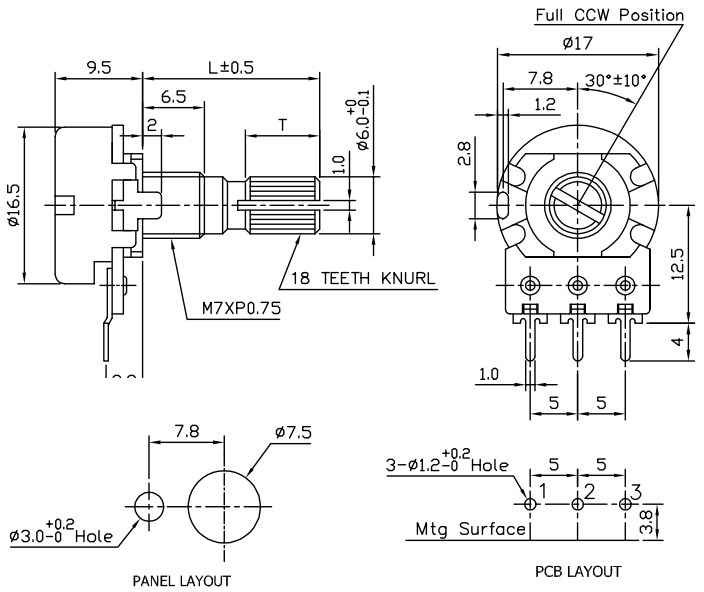
MODEL P160

Outline Drawing

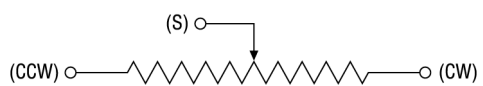
Model P160KNP (Side Adjust , Solder Lugs)



Model P160KN (Side Adjust , PC pins)

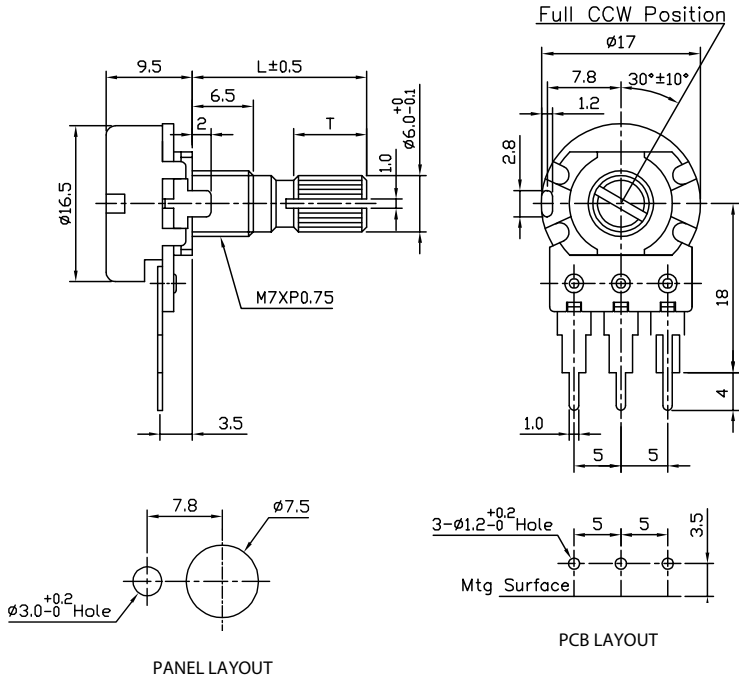


Circuit Diagram

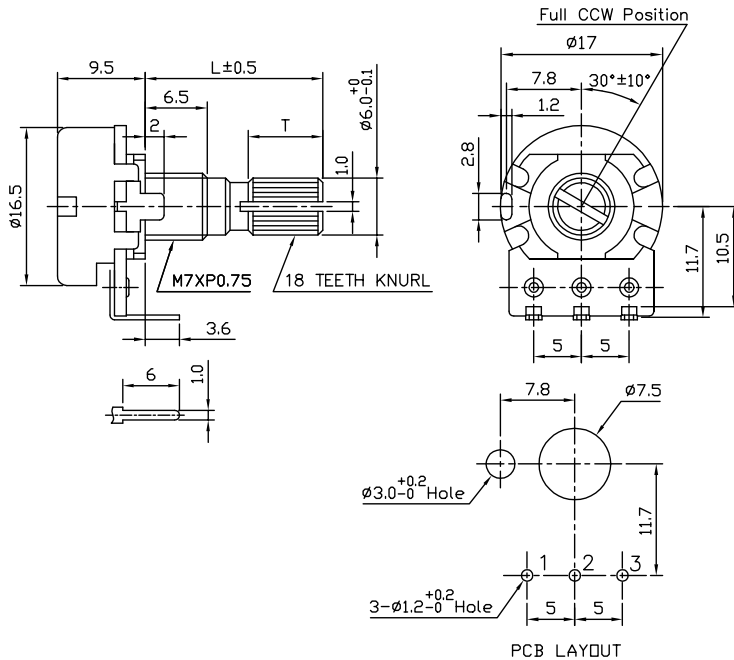


MODEL P160

Model P160KN2 (Side Adjust , PC Pins, Long pins)



Model P160KNPD (Rear Adjust , PC Pins)



Circuit Diagram

