

# Series 2600 7/8" Concentric Turn-Counting Dial



For more information about this product, visit our website at: [www.potentiometers.com](http://www.potentiometers.com)



## *Series 2600 Precision Concentric 7/8" Diameter Analog Turn-Counting Dial*

### Features

- Counts 15 or 20 turns
- One Piece Mounting, 7/8" Diameter
- Aluminum Housing
- Housing Finish: Satin Chrome
- Knob Material: Black Plastic
- Dial Finish: Black Numerals on Satin Chrome
- Positive Action Over Center Locking Mechanism

### Mechanical Specifications

2601 - **15 Turns, 1/8" Shaft,  
1/4" Bushing; 1 setscrew**

2606 - **20 Turns, 1/4" Shaft,  
3/8" Bushing; 1 setscrew**

2606S - **15 Turns, 1/4" Shaft,  
3/8" Bushing; 1 setscrew**

2607 - **20 Turns, 1/4" Shaft,  
3/8" Bushing; 2 setscrews**

2607S - **15 Turns, 1/4" Shaft,  
3/8" Bushing; 2 setscrews**

Diameter: 7/8 inch

Maximum Panel Thickness - 1/4"

Depth from Panel, max:

2601 - 0.82"

2606, 2607 - 0.90"

2606S, 2607S - 0.94"

Shaft Extension from Panel:

2601 - 0.469" to 0.672"

2606, 2607 - 0.628" to 0.781"

2606S, 2607S - 0.578" to 0.781"

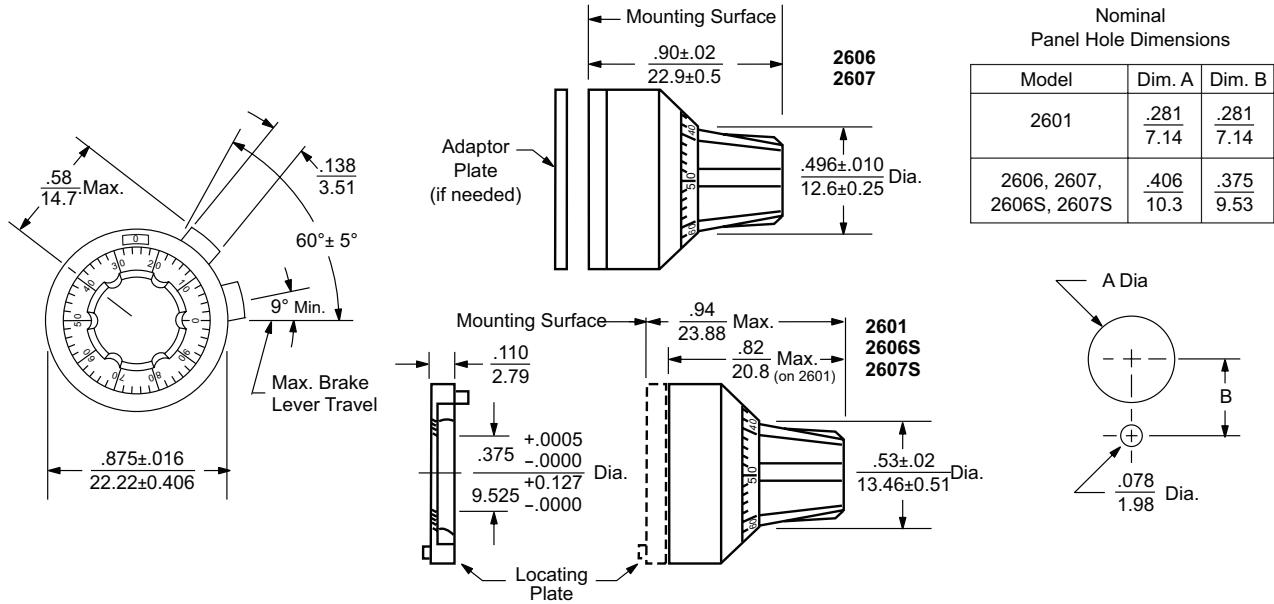
Bushing Extension from Panel:

2601 - 0.270"

2606, 2607, 2606S, 2607S - 0.300"

Operating Temp Range: -55°C to +71°C

# Series 2600 7/8" Concentric Turn-Counting Dial



Nominal Panel Hole Dimensions

Model	Dim. A	Dim. B
2601	.281 7.14	.281 7.14
2606, 2607, 2606S, 2607S	.406 10.3	.375 9.53

## Ordering Information

Example Part Number: **2601**

### 2601

#### Model

- 2601** - 15 Turns, 1/8" Shaft, 1/4" Bushing; 1 setscrew
- 2606** - 20 Turns, 1/4" Shaft, 3/8" Bushing; 1 setscrew
- 2606S** - 15 Turns, 1/4" Shaft, 3/8" Bushing; 1 setscrew
- 2607** - 20 Turns, 1/4" Shaft, 3/8" Bushing; 2 setscrews
- 2607S** - 15 Turns, 1/4" Shaft, 3/8" Bushing; 2 setscrews

For more information about this product, visit our website at: [www.potentiometers.com](http://www.potentiometers.com)



© State Electronics

36 State Route 10, STE 6 • East Hanover, NJ 07936-0436  
973-887-2550 • Toll Free 1-800-631-8083 • Fax 973-887-1940  
<http://www.potentiometers.com>