

Features

- Sealed construction (housing sealing according to DIN IEC 68 part 2 - 17 Qc2)
- Additional models and versions available; e.g., locking bushing for locking the shaft
- Cermet resistive element

0621 - Rotary Potentiometer

Characteristics

Mechanical Angle 270 °
 Starting Torque 0.7 to 2 Ncm
 End Stop Strength 100 Ncm max.
 Shaft Push-Pull Force 100 N max.
 Resistance Range
 100 ohms to 1 megohm
 Resistance Taper Linear
 Power Rating 2 W Linear
 Temperature Range -55 °C to +125 °C
 Rotational Life 10,000 cycles

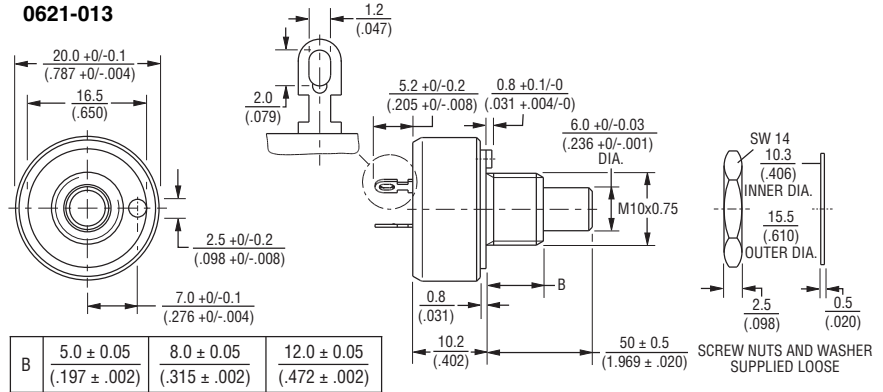
How to Order

0621 - 013 K 500 - A B 103

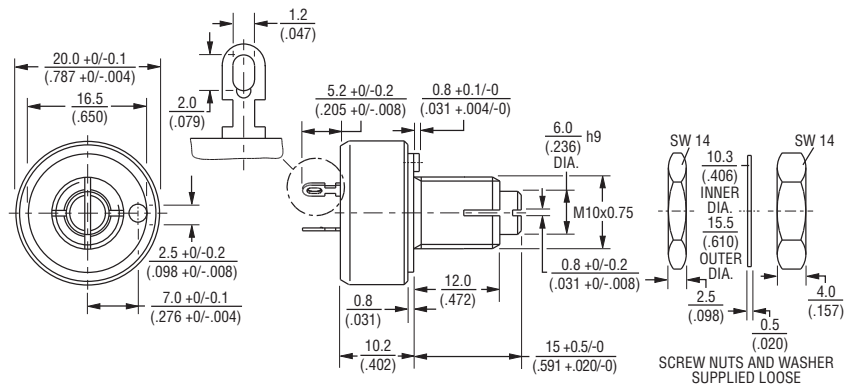
Model Type	0621
Terminal Style	013 (Available with K & M bushing type only) 039 with Locking Bush (Available with N bushing type only)
Bushing & Shaft Type	K = 10 mm D x 12 mm L, Shaft 6 mm D M = 10 mm D x 5 mm L, Shaft 6 mm D N = 10 mm D x 12 mm L, Shaft 6 mm D
Shaft Length	500 = 50 mm Other lengths available upon request.
Independent Linearity	A = ±5 % Other versions available upon request.
Element Tolerance	B = Cermet ±20 % E = Cermet ±10 % L = Cermet ± 5 %
Resistance Code	Other versions available upon request.

Product Dimensions

0621-013



0621-039



DIMENSIONS: $\frac{\text{MM}}{\text{(INCHES)}}$

Standard Resistance Table

Resistance (Ohms)	Resistance Code
100	101
220	221
470	471
1,000	102
2,200	222
4,700	472
5,000	502
10,000	103
22,000	223
47,000	473
100,000	104
220,000	224
470,000	474
1,000,000	105

REV. 06/13

*RoHS Directive 2002/95/EC Jan. 27, 2003 including annex and RoHS Recast 2011/65/EU June 8, 2011. Specifications are subject to change without notice. The device characteristics and parameters in this data sheet can and do vary in different applications and actual device performance may vary over time. Users should verify actual device performance in their specific applications.

For more information about this product, visit our website at:

www.potentiometers.com